





"THE MATERIAL HEREIN IS FOR INFORMATION PURPOSES ONLY AND IS SUBJECT TO CHANGE WITHOUT NOTICE. DIGITAL EQUIPMENT CORPORATION ASSUMES NO RESPONSIBILITY FOR ANY ERRORS WHICH MAY APPEAR HEREIN."

## DRAWING DIRECTORY

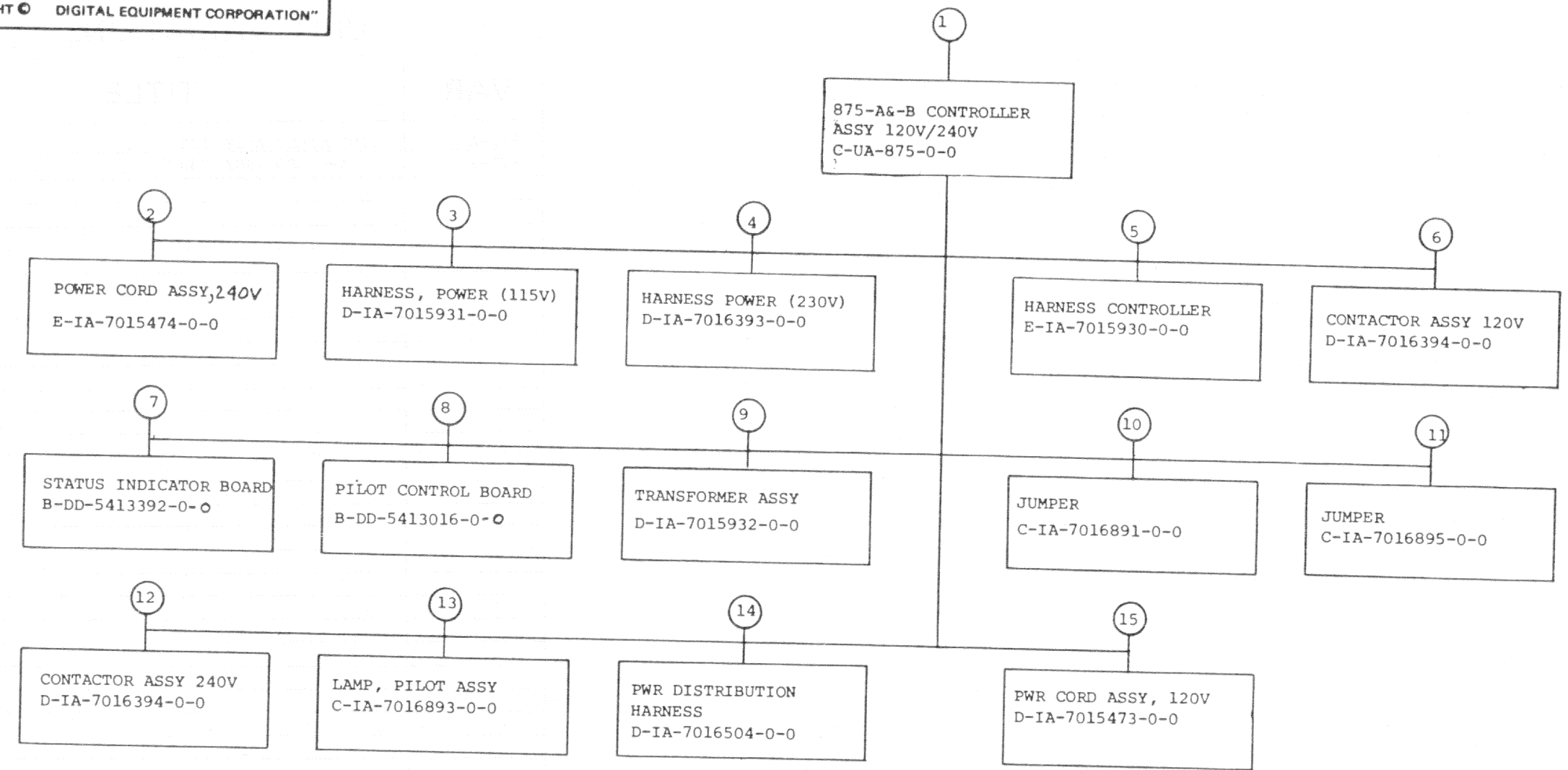
"THIS DRAWING AND SPECIFICATIONS, HEREIN, ARE THE PROPERTY OF DIGITAL EQUIPMENT CORPORATION AND SHALL NOT BE REPRODUCED OR COPIED OR USED IN WHOLE OR IN PART AS THE BASIS FOR THE MANUFACTURE OR SALE OF ITEMS WITHOUT WRITTEN PERMISSION. COPYRIGHT © 1980 DIGITAL EQUIPMENT CORPORATION."

UNIT VARIATIONS	
VAR	TITLE
875-A	CONTROLLER ASSY 120V
875-B	CONTROLLER ASSY 240V

REVISIONS	REV.					<b>digital</b>	
	CHANGE NO.		USED ON OPTION/MODEL	DRN.	DATE		TITLE
			875-A	A. MOWRY	9-9-80		
	CHK		875-B	CHK'D. <i>J.F.S.</i> J. SULLIVAN	DATE 9-9-80	875-A&-B CONTROLLER ASSY 120V/240V	
				PROJ. ENG. <i>J.B. Sullivan</i>	DATE 3/19/81	SIZE    CODE	NUMBER
			PROD. <i>W.H. Harrison</i>	DATE 3/19/81	<b>B    DD</b>	875-0 -0	
			SHEET 1 OF 4		DIST.	REV <b>A</b>	

"THIS DRAWING AND SPECIFICATIONS, HEREIN, ARE THE PROPERTY OF DIGITAL EQUIPMENT CORPORATION AND SHALL NOT BE REPRODUCED OR COPIED OR USED IN WHOLE OR IN PART AS THE BASIS FOR THE MANUFACTURE OR SALE OF ITEMS WITHOUT WRITTEN PERMISSION. 1980  
 COPYRIGHT © DIGITAL EQUIPMENT CORPORATION"

REV. A  
 NUMBER 875-0  
 SIZE CODE B DD



TITLE	SHEET 2 OF 4	SIZE CODE	NUMBER	REV
875-A&-B CONTROLLER ASSY		B DD	875-0	A

FIND NO.	DRAWING NO.	DESCRIPTION	TYPE	FIND NO.	DRAWING NO.	DESCRIPTION	TYPE		
1	MP01022	FIELD MAINTENANCE PRINT SET (MP)	-						
	B-TC-875-0-1	FIELD MAINTENANCE PRINT SET (TC)	-						
	C-UA-875-0-0	CONTROLLER ASSY	E/M						
	E-IA-7421093-0-0	CHASSIS, CONTROLLER	M	7	B-DD-5413392-0-0	STATUS INDICATOR BOARD DRAWING DIRECTORY	E		
	D-IA-7420917-0-0	PANEL, CONTROLLER	M						
	C-IA-7422021-0-0	BRACKET TERMINAL STRIP	M						
	C-MD-7421125-0-0	BRACKET AND FILTER	M						
	C-IA-7421124-0-0	BRACKET AND CABLE CLAMP	M						
	3612680-00	SAFETY DECAL, GND	M	8	B-DD-5413016-0-0	PILOT CONTROL BOARD DRAWING DIRECTORY	E		
	3616909-00	LABEL POWER CONTROLLER	M						
	D-MD-7421096-0-0	COVER, CONTROLLER	M						
	3618579-0-0	LABEL SELF STICKING	M						
				9	D-IA-7015932-0-0	TRANSFORMER ASSY	E		
2	E-IA-7015474-0-0	POWER CORD ASSY, 240V	M	10	C-IA-7016891-0-0	JUMPER	M		
3	D-IA-7015931-0-0	HARNESS, POWER (115V)	M	11	C-IA-7016895-0-0	JUMPER	M		
4	D-IA-7016393-0-0	HARNESS, POWER (230V)	M	12	D-IA-7016394-0-0	CONTACTOR ASSY, 240V	E/M		
5	E-IA-7015930-0-0	HARNESS CONTROLLER	M	13	C-IA-7016893-0-0	LAMP, PILOT ASSY	E/M		
6	D-IA-7016394-0-0	CONTACTOR ASSY, 120V	E/M						
TYPE: E ELECTRICAL M MECHANICAL E/M ELECTRO/MECHANICAL			<b>digital</b>		TITLE 875-A&-B CONTROLLER ASSY		SIZE CODE <b>B DD</b>	NUMBER 875-0	REV <b>A</b>



4

3

2

1

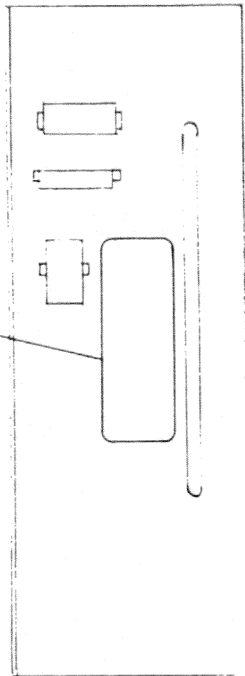
SIZE CODE  
C UA  
NUMBER  
875-0-0  
REV.  
A

"THIS DRAWING AND SPECIFICATIONS, HEREIN, ARE THE PROPERTY OF DIGITAL EQUIPMENT CORPORATION AND SHALL NOT BE REPRODUCED OR COPIED OR USED IN WHOLE OR IN PART AS THE BASIS FOR THE MANUFACTURE OR SALE OF ITEMS WITHOUT WRITTEN PERMISSION.  
COPYRIGHT © 1980 DIGITAL EQUIPMENT CORPORATION"

NOTES:

1. APPLY LABEL (ITEM 3 OR 4) APPROX. WHERE SHOWN.

SEE NOTE 1 { 3 OR 4



OR 2

1	-	LABEL SELF STICKING		3618579-02	4
-	1	LABEL SELF STICKING		3618579-01	3
1	-	240V CONTROLLER ASSY	E-AD-7015929-00	7015929-01	2
-	1	120V CONTROLLER ASSY	E-AD-7015929-00	7015929-00	1

D

C

REV. A

NUMBER 875-0-0

SIZE C UA

A

C

B

A

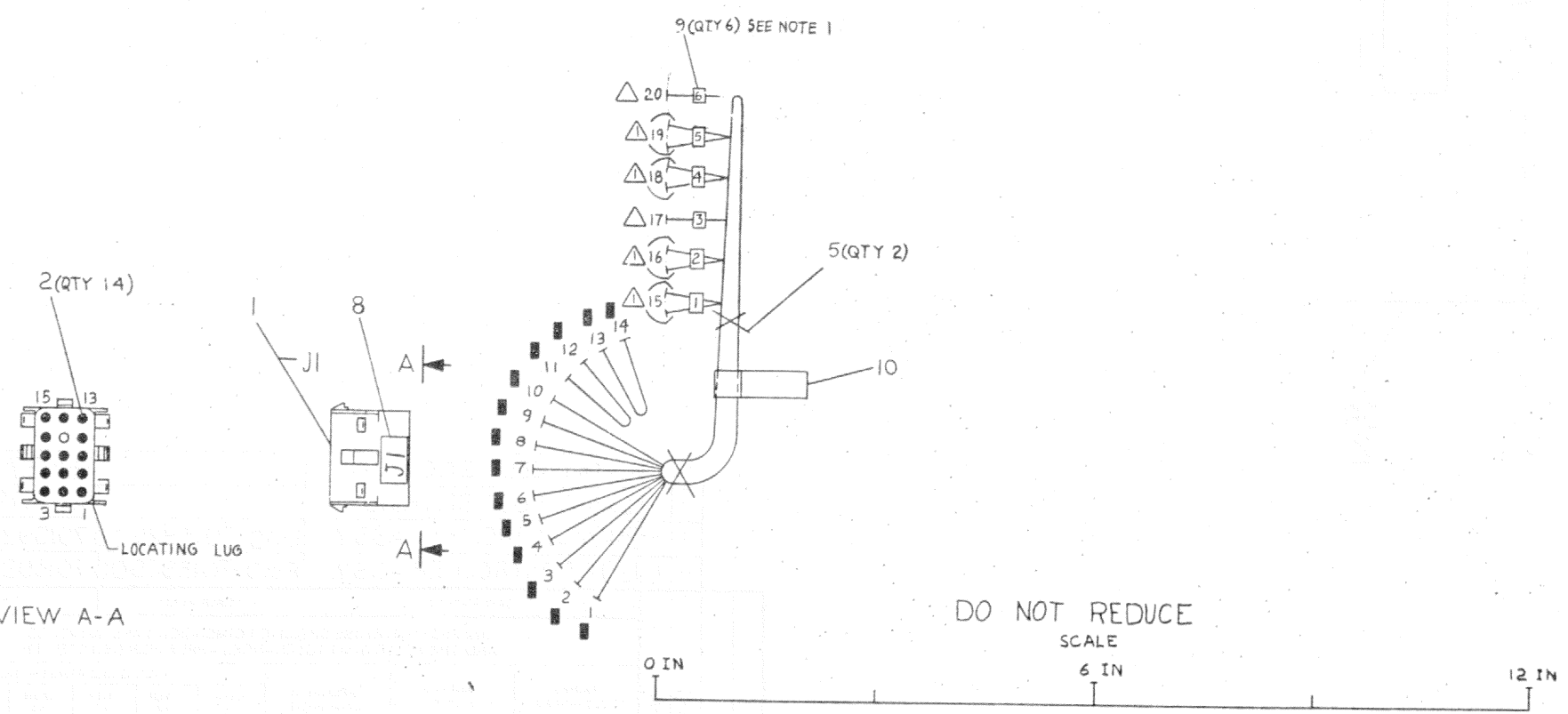
REVISION HISTORY	ECO NUMBER	REV.
DATE		

875-B 875-A	DESCRIPTION		DRAWING NO.	PART NO.	ITEM NO.					
	UNLESS OTHERWISE SPECIFIED DIMENSIONS ARE IN INCHES AND THE FOLLOWING TOLERANCES APPLY (PER DEC STD 114)									
QUANTITY & VARIATION	INCHES TOLERANCES	ANGLES ± 0° 30'	DIMENSIONS RANGE IN INCHES							
	X = ± .1 XX = ± .02 XXX = ± .005	SURFACE QUALITY <input checked="" type="checkbox"/> MICROINCHES	APPLICABLE DIMENSION RANGE (CHECK ONE)	OVER 0 TO 0.2	OVER 0.2 TO 1.2	OVER 1.2 TO 4.0	OVER 4.0 TO 12.0	OVER 12.0 TO 40.0	OVER 40.0 TO 80.0	
THIRD ANGLE PROJECTION	DO NOT SCALE DRAWING	REMOVE BURRS AND BREAK SHARP CORNERS	MATERIAL SEE PARTS LIST	FINISH H	DATE 7-23-80	DATE 10/1/80	DATE 3/10/81	DATE 7/29/80	DATE 3/19/81	TITLE 875A&B CONTROLLER ASSY 120V/240V
DOCUMENT NUMBER					SCALE NONE	SHEET 1 OF 1	REV. A	TITLE digital		

"THIS DRAWING AND SPECIFICATIONS, HEREIN, ARE THE PROPERTY OF DIGITAL EQUIPMENT CORPORATION AND SHALL NOT BE REPRODUCED OR COPIED OR USED IN WHOLE OR IN PART AS THE BASIS FOR THE MANUFACTURE OR SALE OF ITEMS WITHOUT WRITTEN PERMISSION.  
 Copyright © 1972, DIGITAL EQUIPMENT CORPORATION"

ITEM NO	DESCRIPTION	FROM			TO			PRECUT LENGTH		
		AWG	COLOR	POINT	CONN	TERM	POINT		CONN	TERM
6	14	BRN	1	J1-1	2		15		4	6.00 IN
			2	J1-2						6.00
			3	J1-3						6.25
			4	J1-4						6.25
6		BRN	5	J1-5			17		3	6.50
7		BLU	6	J1-6			18		4	7.25
			7	J1-7						7.25
			8	J1-8			19		4	8.00
			9	J1-9						8.00
7		BLU	10	J1-10			20		3	8.60
6		BRN	11	J1-12			12	J1-14	2	2.50
6	14	BRN	13	J1-13	2	14	J1-15	2	2.50	

NOTES:  
 1. POINTS 15 THRU 20 ARE TO BE LABELED 1-6 USING BRADY MARKERS (ITEM #9).



VIEW A-A

QTY	DESCRIPTION	DWG. PART NO.	ITEM NO.
1	LABEL, CABLE IDENT	3616073-00	10
1	MARKER, BRADY	9008356-01	9
1	POWER CONNECTOR, DECAL	A-DC-7409873-2	8
39.10'	WIRE, #14 AWG STRD (BLU)	9107370-66	7
36.0'	WIRE, #14 AWG STRD (BRN)	9107370-11	6
2	CABLE TIE	9007031-00	5
4	TERMINAL RING (YEL)	9007926-01	4
2	TERMINAL RING (BLU)	9007928-00	3
14	PIN, SPLIT UNIV. 14-20 AWG	1213807-01	2
1	CONN, MATE-N-LOK, UNIV (15 PIN)	1212168-06	1

THIRD ANGLE PROJECTION		FIRST USED ON	
REMOVE BURRS AND BREAK SHARP CORNERS		11/750	
DO NOT SCALE DWG		TITLE	
SEE PARTS LIST		HARNES PWR.	
MATERIAL		SIZE CODE	
FINISH		NUMBER	
		REV.	
		DIST.	
		SHEET 1 OF 1	

REV	CHG	BY	DATE
1			
2			
3			
4			
5			

DIA 7015931-0-0

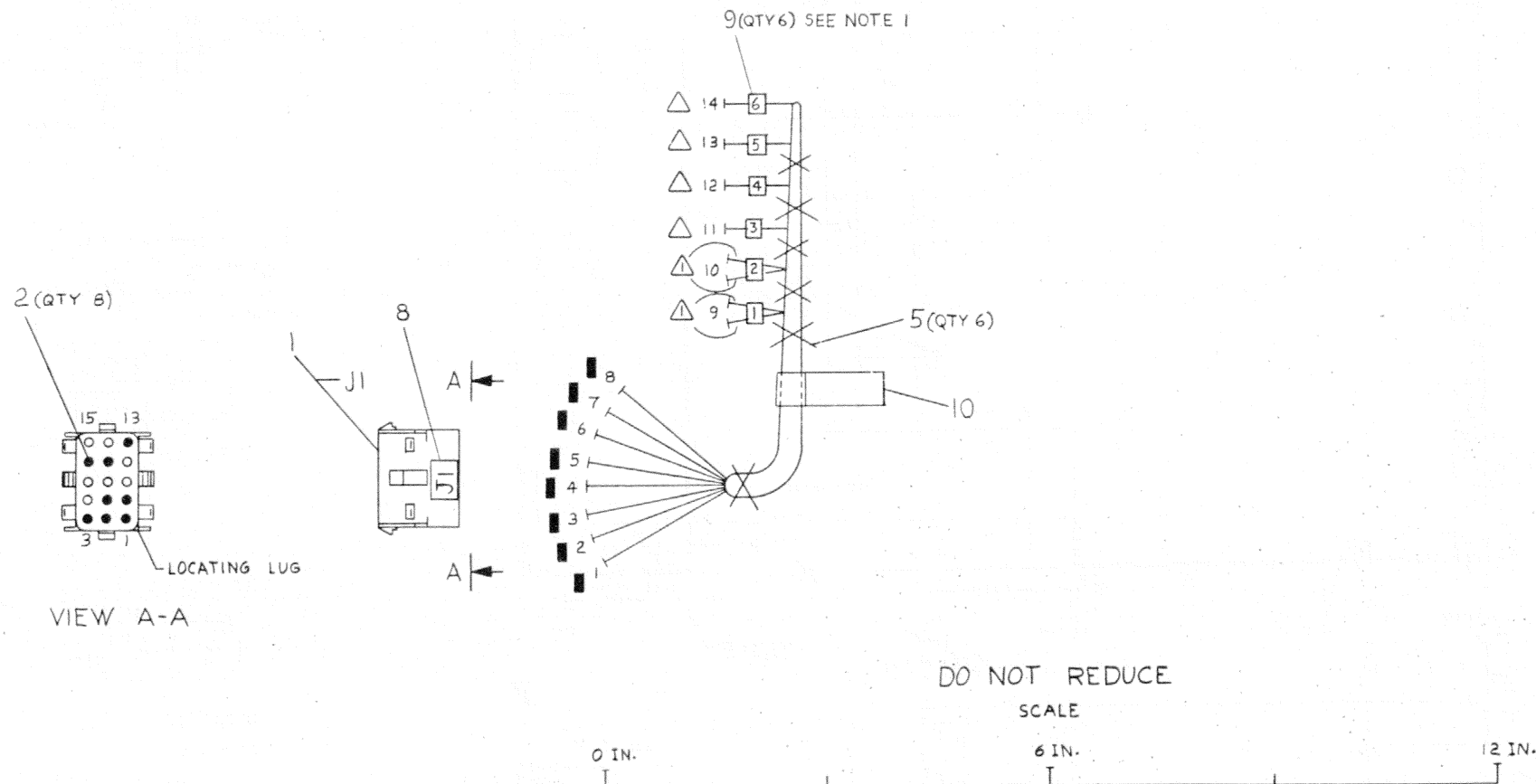
REV. A



THIS DRAWING AND SPECIFICATIONS, HEREIN, ARE THE PROPERTY OF DIGITAL EQUIPMENT CORPORATION AND SHALL NOT BE REPRODUCED OR COPIED OR USED IN WHOLE OR IN PART AS THE BASIS FOR THE MANUFACTURE OR SALE OF ITEMS WITHOUT WRITTEN PERMISSION. COPYRIGHT © 1978 DIGITAL EQUIPMENT CORPORATION

NOTES:  
1. POINTS 9-14 ARE TO BE LABELED 1 THRU 6 USING BRADY MARKERS (ITEM #2)

ITEM NO	DESCRIPTION	FROM			TO			PRECUT LENGTH	
		AWG	COLOR	POINT	CONN	TERM	POINT		CONN
6	14	BRN	2	J1-1	2	9	---	4	5.75 IN
			3	J1-2		10	---	4	5.75
			4	J1-3		10	---	4	6.25
			4	J1-4		10	---	4	6.25
6		BRN	5	J1-5		11	---	3	7.00
7		BLU	6	J1-11		12	---	4	7.60
7		BLU	7	J1-12		13	---	4	8.00
7	14	BLU	8	J1-13	2	14	---	3	8.60 IN

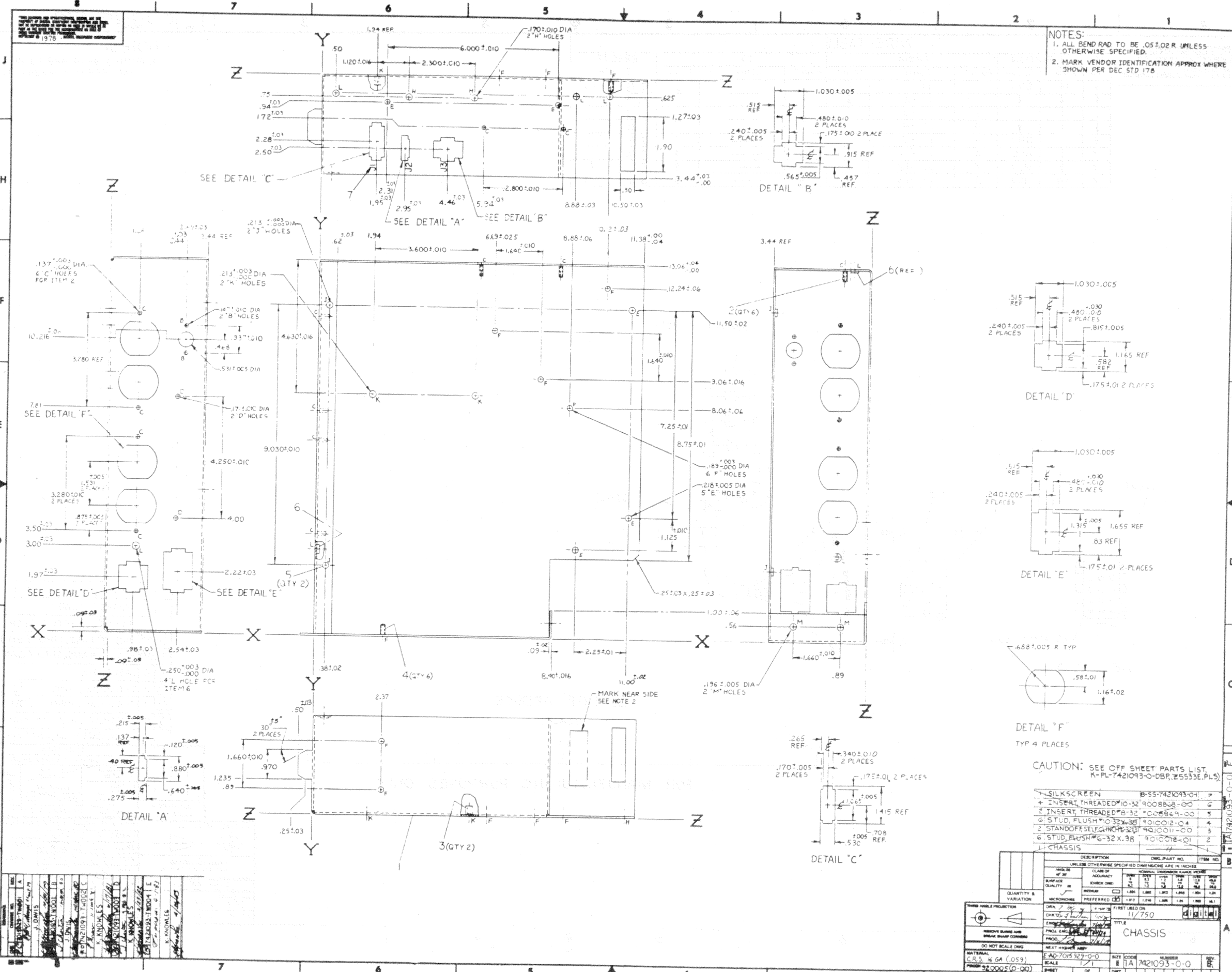


QTY	DESCRIPTION	DWG. PART NO.	ITEM NO.
1	LABEL, CABLE IDENT	3610073-00	10
1	MARKER, BRADY	9008356-01	9
1	POWER CONNECTOR, DECAL	A-DC-7409873-2	8
24.20	WIRE, #14 AWG, STRD (BLU)	9107370-66	7
31.00	WIRE, #14 AWG, STRD (BRN)	9107370-11	6
X 6	CABLE, TIE	9007031-00	5
2	TERMINAL, RING (YEL)	9007926-01	4
4	TERMINAL, RING (BLU)	9007928-00	3
8	PIN SPLIT UNIV. 14-20 AWG	1213807-01	2
1	CONN, MATE-LOK, UNIV. (15 PIN)	1212168-06	1

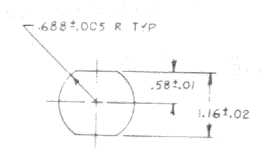
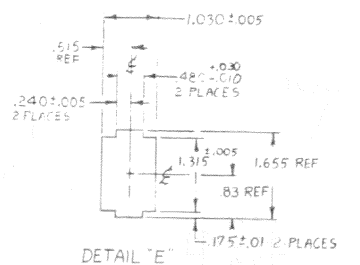
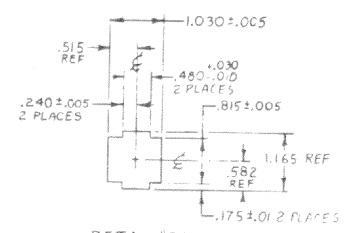
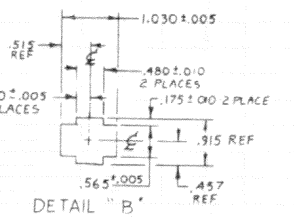
THIRD ANGLE PROJECTION		UNLESS OTHERWISE SPECIFIED DIMENSIONS ARE IN INCHES	
REMOVE BURRS AND BREAK SHARP CORNERS	DO NOT SCALE DWG	NEXT HIGHER ASSY.	
MATERIAL SEE PARTS LIST	FINISH	SCALE 1/1	
DRN: J. B. [Signature] 3/11/78		FIRST USED ON 11/750	
CHK'D: [Signature]		TITLE HARNESS POWER 230V	
ENG: [Signature]		SIZE CODE D 1A	
PROD. ENG: [Signature]		NUMBER 7016393-0-0	
PROD. [Signature]		REV. 1	
SHEET 1 OF 1		DIST. T W	

REV	NO	DATE

DEC FORM NO. 100-100-100



NOTES:  
 1. ALL BEND RAD TO BE .05±.02 R UNLESS OTHERWISE SPECIFIED.  
 2. MARK VENDOR IDENTIFICATION APPROX WHERE SHOWN PER DEC STD 178



DETAIL 'F'  
TYP 4 PLACES

CAUTION: SEE OFF SHEET PARTS LIST, K-PL-7421093-0-DBR, 25533E, PL.5

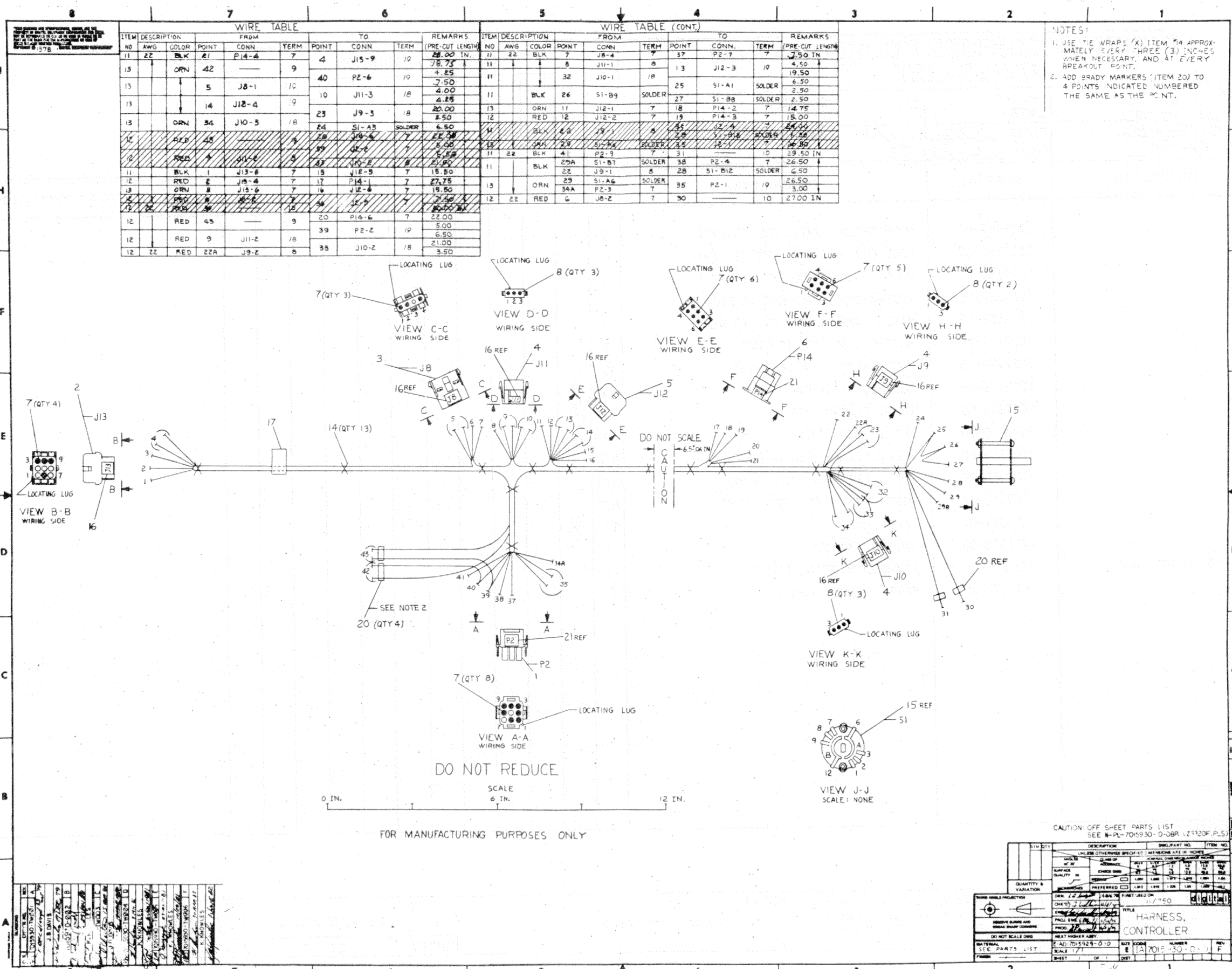
QTY	DESCRIPTION	QTY	DESCRIPTION
1	SILKSCREEN	1	B-55-7421093-01
2	INSERT THREADED #10-32	2	9008828-00
2	INSERT THREADED #8-32	2	0208869-00
6	STUD, FLUSH #10-32 X .38	6	9010012-04
2	STANDOFF, SELF-LOCKING #8-32	2	9010011-00
6	STUD, FLUSH #6-32 X .38	6	9010018-01
1	CHASSIS		

UNLESS OTHERWISE SPECIFIED DIMENSIONS ARE IN INCHES		DIM. PART NO.		ITEM NO.	
APPROX. ±.010	CLASS OF ACCURACY	1	2	3	4
SURFACE QUALITY	CHECK ONE	1.000	1.000	1.000	1.000
QUANTITY VARIATION	PREFERRED	1.012	1.024	1.036	1.048

DESIGNER	DATE	FIRST USED ON
CHK'D BY	11/750	
ENGR'G		
PROJ. ENGR'G		
PROD.		
NEXT HIGHER APP'Y		
MATERIAL	SCALE	SHEET
C.R.S. 16 GA (.059)	E 20-7015 27-0-0	121
PRINTED 24,0005 (0-00)	SCALE	DATE

NO.	REV.	DESCRIPTION	DATE
1		ISSUED FOR PRODUCTION	11/750
2		REVISION	
3		REVISION	
4		REVISION	
5		REVISION	
6		REVISION	
7		REVISION	
8		REVISION	
9		REVISION	
10		REVISION	



WIRE TABLE										WIRE TABLE (CONT.)																						
ITEM NO	DESCRIPTION	AWG	COLOR	FROM			TO			REMARKS	ITEM NO	DESCRIPTION	AWG	COLOR	FROM			TO			REMARKS											
				POINT	CONN	TERM	POINT	CONN	TERM						POINT	CONN	TERM	POINT	CONN	TERM												
11	22	BLK	42	P14-4	7	4	J15-9	19	28.00 IN	11	22	BLK	7	J8-4	7	37	P2-7	7	7.50 IN	11	22	BLK	7	J11-1	8	13	J12-3	19	4.50			
13			5	J8-1	10	40	P2-6	19	4.25	11				32	J10-1	18	25	S1-A1	SOLDER	6.50	13									19.50		
13			14	J12-4	19	10	J11-3	18	4.00	11							27	S1-B8	SOLDER	2.50	13									14.75		
13			ORN	34	J10-3	18	25	J9-3	18	20.00	12						19	P14-3	7	15.00	12									6.50		
12			RED	43		9	24	S1-A3	SOLDER	6.50	12						24	J2-4	7	24.00	12									24.00		
12			RED	7	S11-0	9	39	P2-2	19	5.00	12						25	S1-B12	SOLDER	6.50	12									24.50		
11			BLK	1	J13-8	7	15	J12-5	7	15.50	11						22	J9-1	8	28	S1-B12	SOLDER	6.50	11	22	BLK	41	P2-9	7	31	10	29.50 IN
12			RED	2	J12-4	7	17	P14-1	7	27.75	11						29A	S1-B7	SOLDER	38	P2-4	7	26.50	11								
13			ORN	8	J15-6	7	16	J12-6	7	18.50	13						29	S1-A6	SOLDER	7	P2-1	19	3.00	13								
12			RED	30		18	34	P2-3	7	2.50	12	22	RED	6	J6-2	7	30			10	27.00 IN	12										
12			RED	45		9	20	P14-6	7	22.00																						
12			RED	9	J11-2	18	39	P2-2	19	5.00																						
12	22	RED	22A	J9-2	8	35	J10-2	18	3.50																							

NOTES:  
 1. USE TIE WRAPS (X) ITEM #14 APPROXIMATELY EVERY THREE (3) INCHES WHEN NECESSARY, AND AT EVERY BREAKOUT POINT.  
 2. ADD BRADY MARKERS (ITEM 20) TO 4 POINTS INDICATED NUMBERED THE SAME AS THE POINT.

1	2	3	4	5	6	7	8	9	10	11	12	13	14	15	16	17	18	19	20	21	22	23	24	25	26	27	28	29	30	31	32	33	34	35	36	37	38	39	40	41	42	43	44	45
---	---	---	---	---	---	---	---	---	----	----	----	----	----	----	----	----	----	----	----	----	----	----	----	----	----	----	----	----	----	----	----	----	----	----	----	----	----	----	----	----	----	----	----	----

CAUTION: OFF SHEET PARTS LIST SEE W-PL-7015930-0-DBR (2720F, PLS)

SYN. QTY.	DESCRIPTION	INSUL. PART NO.	ITEM NO.
1	WIRE		
1	LOCATING LUG		
1	CONNECTOR		
1	SWITCH		
1	TERMINAL		

DATE: 11/750  
 TITLE: HARNESS CONTROLLER  
 SCALE: 1/1

FOR MANUFACTURING PURPOSES ONLY

# DIGITAL EQUIPMENT CORPORATION PARTS LIST

MADE BY DATE	B. BLODGETT 14 AUG 78	CHECKED DATE	J. SULLIVAN 9 JAN 79
ENG DATE	<i>F.M. [Signature]</i> 6-27-79	PROD DATE	<i>Shawnauld</i> 6-29-79
SECTION		ISSUED SECTION	
		1	

### QUANTITY / VARIATION

NOTES:

ITEM NO.	DRAWING NO.	PART NO.	DESCRIPTION	7015930-00	SYMBOL											REF DESIGNATION			
1		1212167-04	MATE-N-LOK UNIV. HSG (9 PIN)	1															
2		1212168-07	MATE-N-LOK UNIV. SKT (9 PIN)	1															
3		1212168-02	MATE-N-LOK UNIV SKT, (4 PIN)	1															
4		1209350-03	MATE-N-LOK UNIV HSG (3 PIN)	3															
5		1212168-05	MATE-N-LOK UNIV SKT, (6 PIN)	1															
6		1212167-06	MATE-N-LOK HSG (6 PIN)	1															
7		1212170-03	MATE-N-LOK SKT 14-20 AWG	25	□														
8		1209379-06	SOCKET, 22-18 AWG	9	□														
9		9007970-00	TERM, FASTON (RED)	2	○														
10		9007930-00	TERM, RING (RED)	2	△														
11		9107350-00	WIRE, #22 AWG, STRD (BLK)	A/R															
12		9107350-22	WIRE, #22 AWG, STRD (RED)	A/R															
13		9107350-33	WIRE, #22 AWG, STRD (ORN)	A/R															
14		9007031-00	CABLE, TIE	13	X														
15		1214995-00	SWITCH, ROTARY	1															
16	A-DC-7409873-0-0	7409873-2	POWER CONNECTOR, DECAL	1															
17		3616073-00	LABEL CABLE IDENT.	1															

E.C.O. NO.  
7015930-TW001  
7015930-TW003  
7015930-TW004

THIS DRAWING AND SPECIFICATIONS, HEREIN, ARE THE PROPERTY OF DIGITAL EQUIPMENT CORPORATION AND SHALL NOT BE REPRODUCED OR COPIED OR USED IN WHOLE OR IN PART AS THE BASIS FOR THE MANUFACTURE OR SALE OF ITEMS WITHOUT WRITTEN PERMISSION. COPYRIGHT © 1979 DIGITAL EQUIPMENT CORPORATION	TITLE HARNES CONTROLLER	ASSY NO. E-AD-7015929-0-0	SIZE B	CODE PL	NUMBER 7015930-0-0	REV D
		SHEET 1 OF 1	INSERTION PARTS LIST DATA BASE REV			

DRAWING NO.	NO. OF SHTS.	PART NO.	DESCRIPTION	REVISIONS												
B-DD-5413392-0	1		PWR STATUS INDICATOR	A												
D-UA-5413392-0-0	3		PWR STATUS INDICATOR	A												
C-CS-5413392-0-1	1		CARD STATUS	A												
D-MD-5013391-0-0	3		DRILL & ETCH	A												
		5013391	ETCHED BOARD	B												
K-PL-5413392-0-DBP			PWR STATUS INDICATOR	A												
K-PC-5413392-0-DBC			PC DESIGN DATA BASE	B												

**NOTES:**

REVISIONS
DATE
CHG NO.
REV.

"THIS DRAWING AND SPECIFICATIONS, HEREIN, ARE THE PROPERTY OF DIGITAL EQUIPMENT CORPORATION AND SHALL NOT BE REPRODUCED OR COPIED OR USED IN WHOLE OR IN PART AS THE BASIS FOR THE MANUFACTURE OR SALE OF ITEMS WITHOUT WRITTEN PERMISSION.  
COPYRIGHT© 1979 DIGITAL EQUIPMENT CORPORATION



USED ON OPTION/MODEL	DRN. J. CASEY	8/29/79	TITLE			
	CHK'D J. CASEY	8/29/79	PWR STATUS INDICATOR			
	ENG. <i>J. Davis</i>	9/24/79	SIZE	CODE	NUMBER	REV.
	PRD. <i>Constantine</i>	9/24/79	B DD		5413392-0	A
			SHEET 1 OF 1			

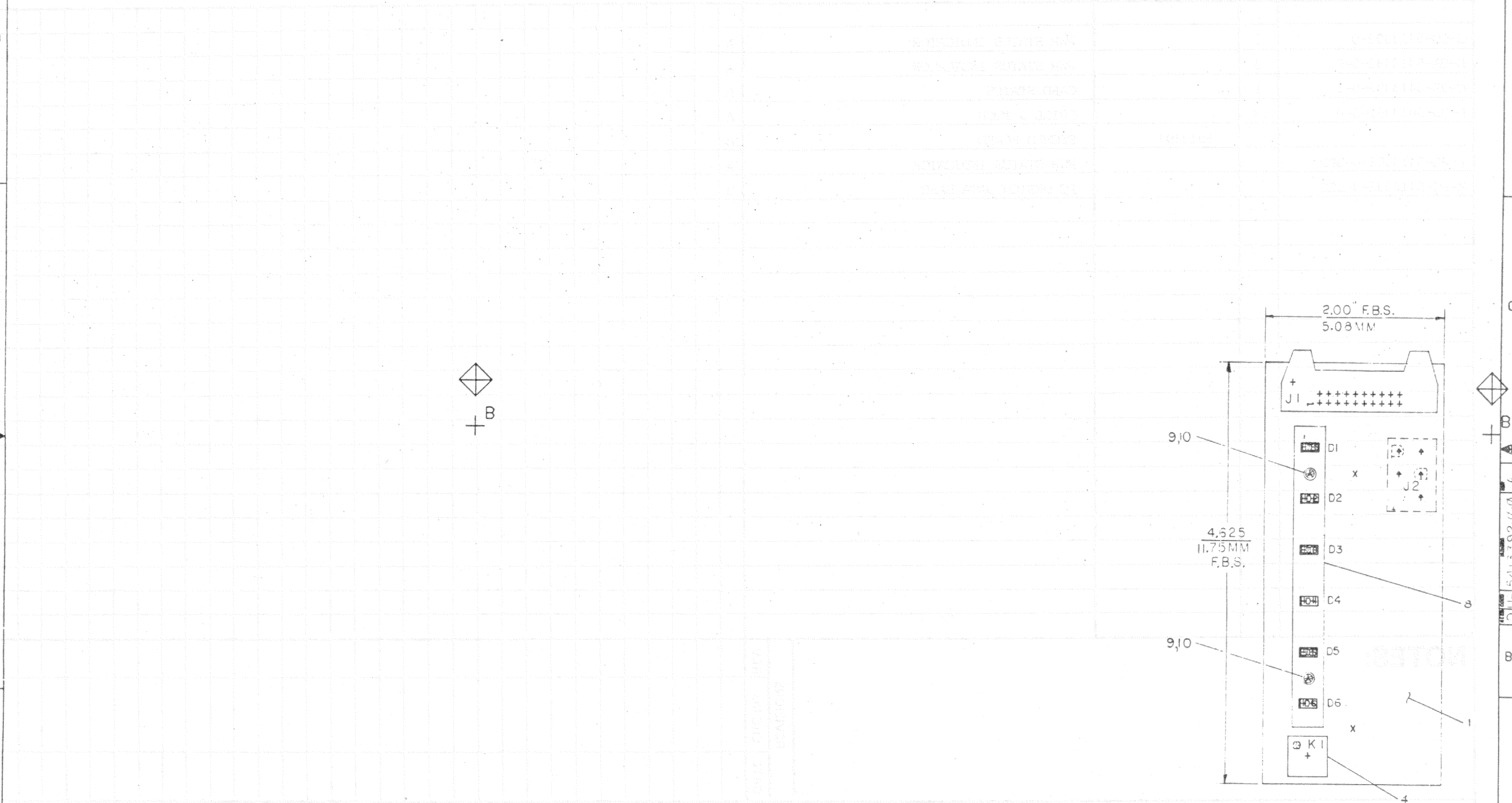
*TW*

THIS DRAWING AND SPECIFICATIONS, HEREIN, AND THE PROPERTY OF DIGITAL EQUIPMENT CORPORATION SHALL NOT BE REPRODUCED OR TRANSMITTED IN ANY FORM OR BY ANY MEANS, ELECTRONIC OR MECHANICAL, INCLUDING PHOTOCOPYING, RECORDING, OR BY ANY INFORMATION STORAGE AND RETRIEVAL SYSTEM, WITHOUT PERMISSION IN WRITING FROM DIGITAL EQUIPMENT CORPORATION. © 1978

5413392-00 A

COMPONENT SIDE VIEW

DESCRIPTION OF PART NO. 5413392-00



NOTES:


CHANGE NO.	REV.

ETCH REV. B
P.C. DESIGN DATA BASE REV. B

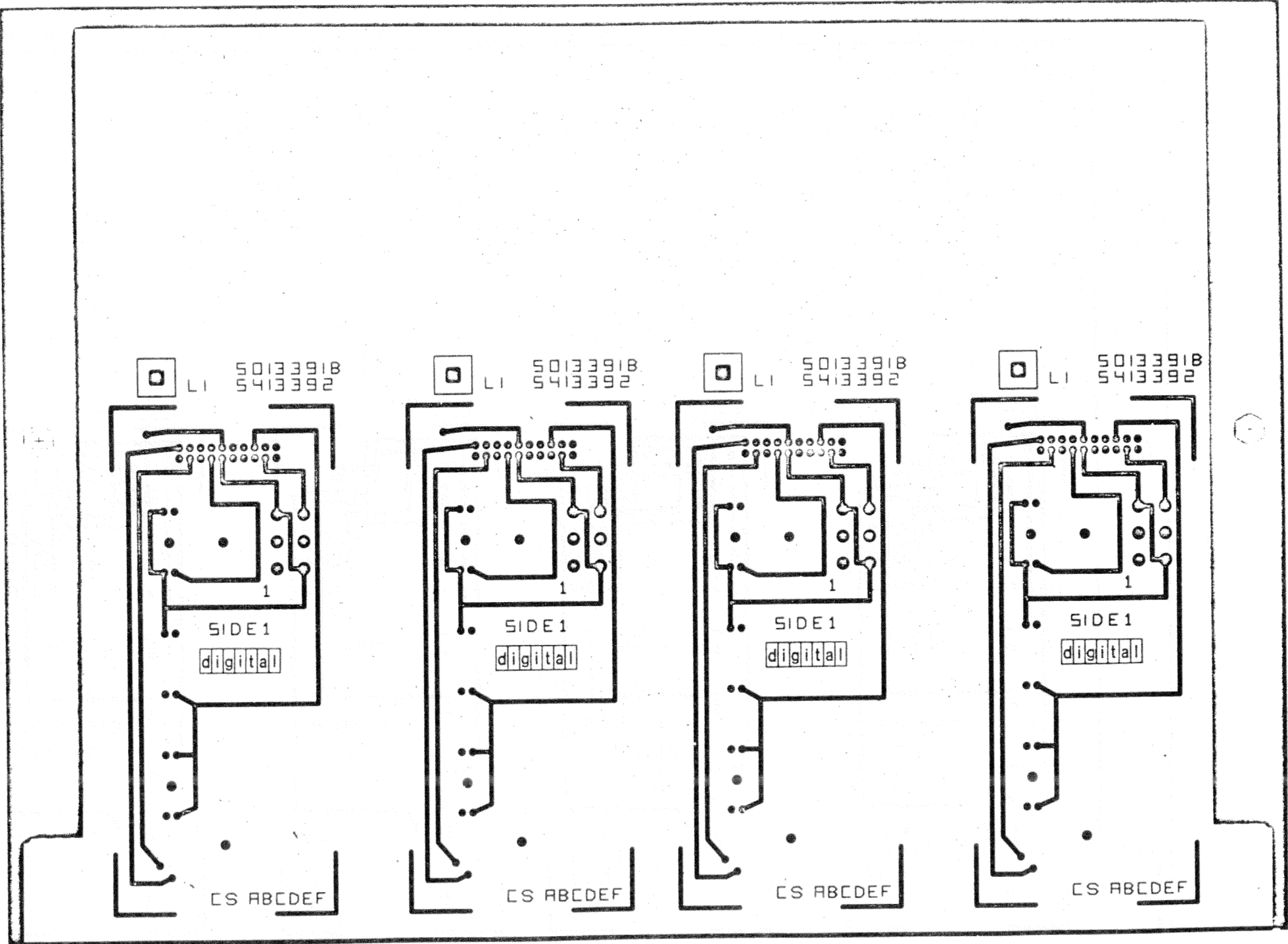
SIGNATURES		DATE	TITLE
DRN. <i>[Signature]</i>	<i>[Signature]</i>	5-11-78	
CHK'D. <i>[Signature]</i>	<i>[Signature]</i>	2-1-78	
ENG. <i>[Signature]</i>	<i>[Signature]</i>	3-1-78	
PROJ. ENG. <i>[Signature]</i>	<i>[Signature]</i>	3-1-78	
PROD. <i>[Signature]</i>	<i>[Signature]</i>	1-1-78	
SCALE 2-1	SIZE CODE 0	NUMBER 0	REV. A
NEXT NUMBER HSSV.B DD-5413392-0		PWR STATUS INDICATOR	

ALL DIMENSIONS ARE IN INCHES. UNLESS OTHERWISE SPECIFIED, DIMENSIONS ARE TO CENTER OF HOLES. DIMENSIONS TO CENTER OF HOLES ARE TO BE MAINTAINED THROUGHOUT THE MANUFACTURE OF THE PART. DIMENSIONS TO CENTER OF HOLES ARE TO BE MAINTAINED THROUGHOUT THE MANUFACTURE OF THE PART. DIMENSIONS TO CENTER OF HOLES ARE TO BE MAINTAINED THROUGHOUT THE MANUFACTURE OF THE PART.

7 0-0-25-2105 711 D 2

D  
C  
B  
A

D  
C  
B  
A

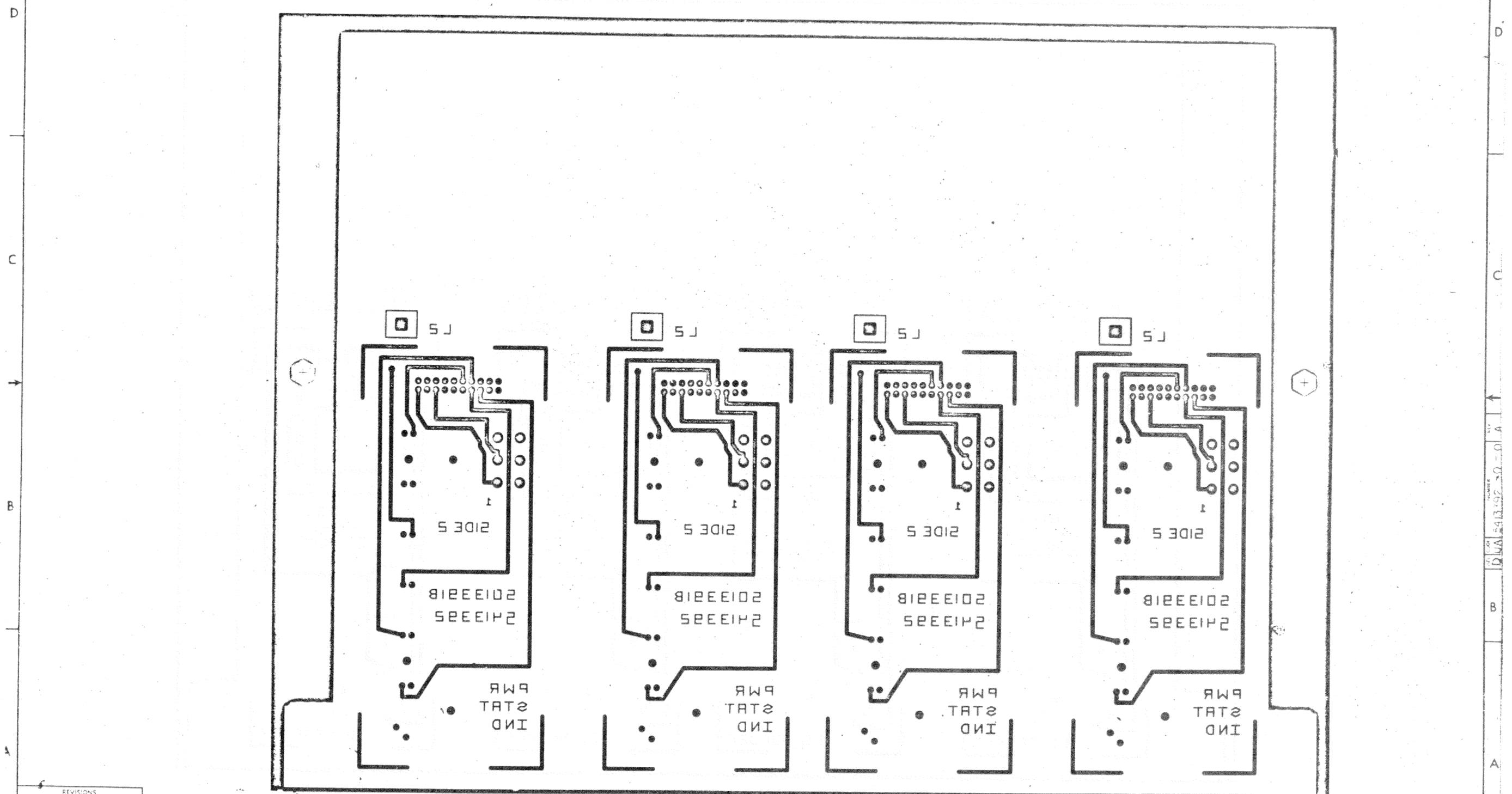


REVISIONS		
NO.	CHANGE NO.	REV.

TITLE	FWR STATUS INDICATOR	SIZE/CODE	D UA 5413392-0-0	NUMBER		REV	A
SCALE	2-1	SHEET	2	OF	3	DIST	

ALL DRAWING AND SPECIFICATIONS HEREIN ARE THE PROPERTY OF DIGITAL EQUIPMENT CORPORATION AND SHALL NOT BE REPRODUCED OR COPIED OR USED IN WHOLE OR IN PART AS THE BASIS FOR THE MANUFACTURE OR SALE OF ITEMS WITHOUT WRITTEN PERMISSION OF DIGITAL EQUIPMENT CORPORATION.

DUA 5413592-0-0 A



REVISIONS		
CHK	CHANGE NO	REV

TITLE: PWR STATUS INDICATOR  
 SIZE CODE: DUA  
 NUMBER: 5413592-0-0 A  
 SCALE: 2-1  
 SHEET: 3 OF 3  
 DIST:   
 REV: A



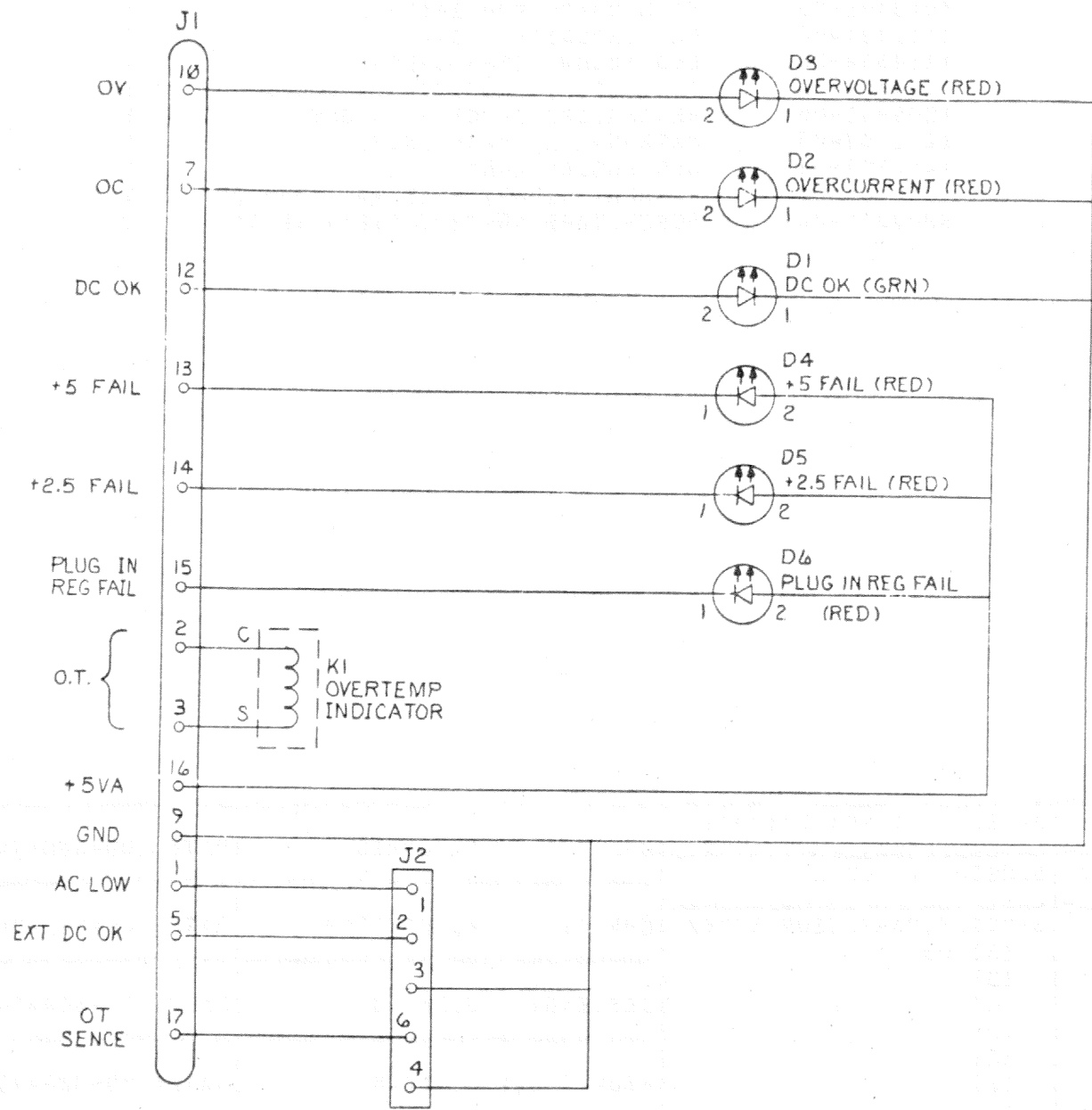
LINE ITEM	DOCUMENT NUMBER	PART NUMBER	DESCRIPTION	QTY PER VARIATION 00	REFERENCE DESIGNATOR
1	1	5013391-00	ETCH BOARD FOR 5413392	1	
2	2	1110324-00	LED 1MCD@10MA PIV=3	5	D2-D6
3	3	1114384-00	LED 105MW 35MA GREEN	1	D1
4	4	1214349-00	INDICATOR, REFLECTIVE, W/RESET	1	K1
5	5	1209941-00	HEADER, 100 20POS RT ANGLE	1	J1
6	6	1212297-05	MATE-N-LOK 6PIN UNIV.	1	J2
7	7	1210795-02	LED HOLDER LONG	1	
8	8	9006706-00	WASHER, NYLON, FLAT #4 .375 OD	2	
9	9	9009236-00	SCREW, TAPPING, TYPE F, PAN, PHIL,	2	

REVISION HISTORY		BASIC PART NO: 5413392		DRN:	S. NORRIS	DATE:	09-AUG-79	D I G I T A L			
ENG	ECO NUMBER	REV	SECTION A OF A	CHK'D:	K. FRIEDGEN	DATE:	09-SEP-79	TITLE	PARTS LIST		
---	INITIAL	B	SECTION VARIATION INDEX	---	INITIAL			PWR STATUS IND.			
		A	(A) 00								
			(B)								
			(C)	DES. ENG:	J. DAVIS	DATE:	09-SEP-79				
			(D)								
			(E)						DOCUMENT NUMBER		
			(F)	RESP. ENG.:	J. DAVIS	DATE:	09-SEP-79				
			(H)					SIZE	CODE	NUMBER	REV
			(J)								
			(K)	MFG. ENG.:	C. J. CONSTATINE	DATE:	09-SEP-79	K	PL	5413392-0-DBP	A
			(L)								
			(M)	ASSEMBLY NUMBER:		TOP DOCUMENT NUMBER:		FILE NAME:		EDIT #	
			(N)	D-UA-5413392-0-0		D-MD-5413392-0-0		Z0652B, PLS		4	

"THIS DRAWING AND SPECIFICATIONS HEREIN, ARE THE PROPERTY OF DIGITAL EQUIPMENT CORPORATION AND SHALL NOT BE REPRODUCED OR COPIED OR USED IN WHOLE OR IN PART AS THE BASIS FOR THE MANUFACTURE OR SALE OF ITEMS WITHOUT WRITTEN PERMISSION. COPYRIGHT (C) 1979, DIGITAL EQUIPMENT CORPORATION "

TW

"THIS DRAWING AND SPECIFICATIONS HEREIN ARE THE PROPERTY OF DIGITAL EQUIPMENT CORPORATION AND SHALL NOT BE REPRODUCED OR COPIED OR USED IN WHOLE OR IN PART AS THE BASIS FOR THE MANUFACTURE OR SALE OF ITEMS WITHOUT WRITTEN PERMISSION. COPYRIGHT © 1977 DIGITAL EQUIPMENT CORPORATION"



SEE PARTS LIST

QTY.	DESCRIPTION	PART NO.	ITEM NO.
PARTS LIST			
DRG	DATE		
CHKD	DATE		
ENG.	DATE		
PROJ. ENG.	DATE		
FRSUD	DATE		
NEXT HIGHER AGCY.		SIZE CODE	NUMBER
FIRST USED OR OPTION/MODEL		C CS	5413392-0-1
SCALE			REV.
SHEET 1 OF 1			A

REV.	
CHANGE NO.	
CHK	

DEC FORM NO. DBC 111-A

D  
C  
B  
A  
 REV. A  
 NUMBER 5413392-0-1  
 SIZE CODE C CS

DRAWING NO.	NO. OF SHTS.	PART NO.	DESCRIPTION	REVISIONS												
				C	D	E	F	H	H	J						
D-UA-5413016-0-0	1		869 PILOT CONTROL BOARD	C	D	E	F	H	H	J						
K-PL-5413016-0-DBP	2		869 PILOT CONTROL BOARD	C	D	E	F	H	HI	J						
D-CS-5413016-0-1	1		869 PILOT CONTROL BOARD	C	D	E	F	H	HI	J						
D-MD-5013015-0-0	1		DRILL & ETCH DRAWING	C	C	C	C	C	C	D						
		5013015	ETCHED BOARD	D	D	D	D	D	D	E						
K-PC-5413016-0-DBG			P.C. DESIGN DATA BASE	REF	-	-	-	-	-	E						
A-SP-5413016-0-3			TEST PROCEDURE	-	-	-	-	-	-	-						
D-EC-5013015-0-0	1		ETCH CUT DRAWING							A						

NOTES:

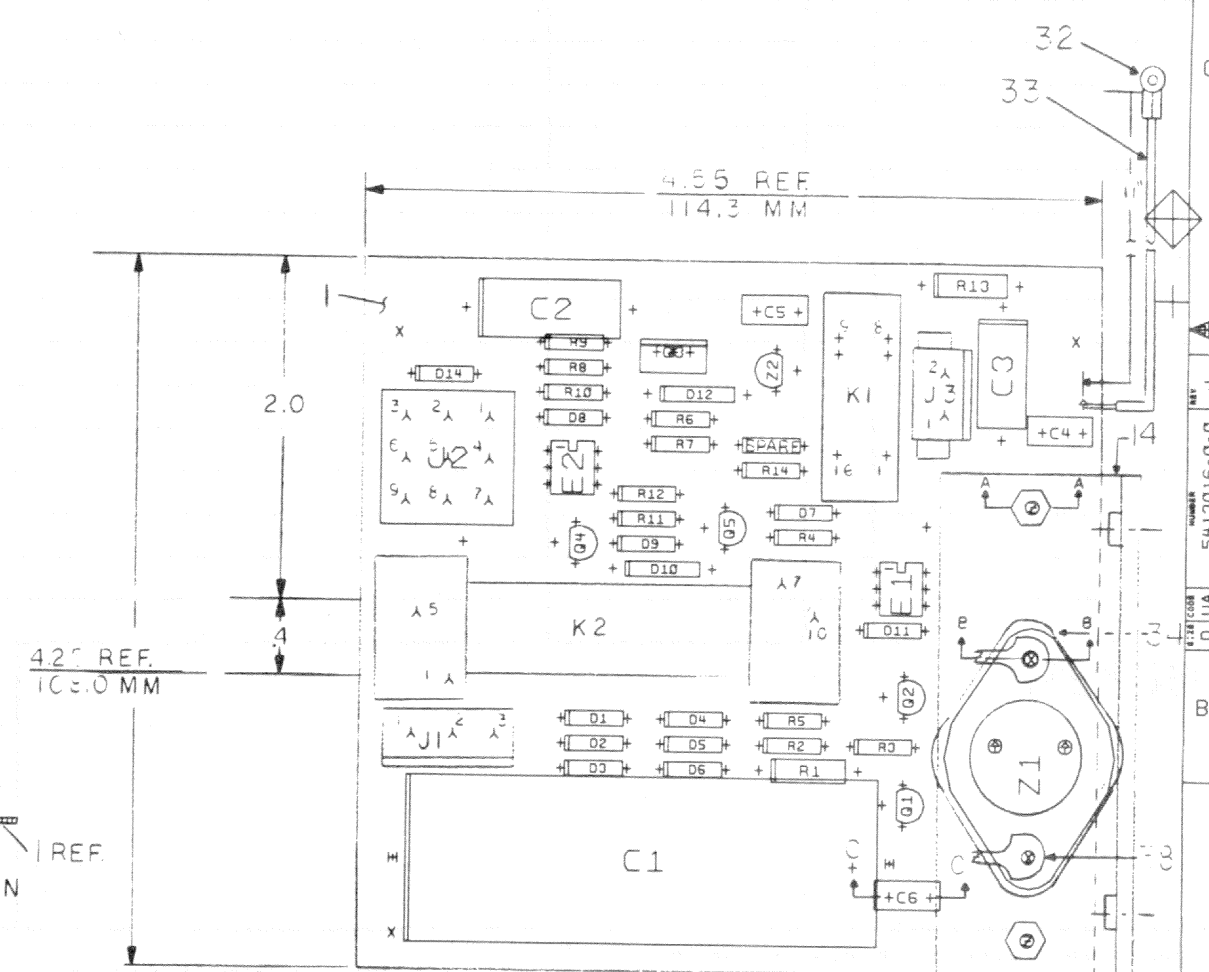
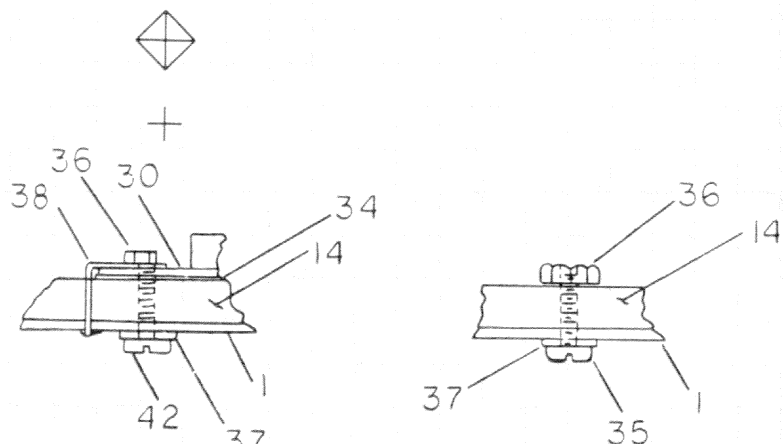
REVISIONS		DATE	CHG NO.	REV.	C	D	E	F	H	HI	J
		4-78	ORIG.		C						
		5-78	00001		D						
		8-78	ML002		E						
		9-78	ML003		F						
		5-79	ML004		H						
		5-82	ML05B		HI						
		6-82	ML005		J						

"THIS DRAWING AND SPECIFICATIONS, HEREIN, ARE THE PROPERTY OF DIGITAL EQUIPMENT CORPORATION AND SHALL NOT BE REPRODUCED OR COPIED OR USED IN WHOLE OR IN PART AS THE BASIS FOR THE MANUFACTURE OR SALE OF ITEMS WITHOUT WRITTEN PERMISSION.  
 COPYRIGHT© 1977 DIGITAL EQUIPMENT CORPORATION



USED ON OPTION/MODEL 869	DRN. RITA BUREAU 21SEP77	TITLE 869 PILOT CONTROL BOARD
	CHK'D <i>[Signature]</i>	
	ENG. <i>[Signature]</i>	SIZE B DD CODE DD
	PROD. <i>[Signature]</i>	NUMBER 5413016-0 REV. J
		SHEET 1 OF 1

THIS DRAWING AND SPECIFICATIONS HEREIN ARE THE PROPERTY OF DIGITAL EQUIPMENT CORPORATION AND SHALL NOT BE REPRODUCED OR COPIED OR USED IN WHOLE OR IN PART AS THE BASIS FOR THE MANUFACTURE OR SALE OF ITEMS WITHOUT WRITTEN PERMISSION.  
 COPYRIGHT © 1982 DIGITAL EQUIPMENT CORPORATION



NOTES: THIS BOARD MEETS THE REQUIREMENTS FOR UL TYPE I.

CHK	CHANGE NO	REV
	1	MILCO J
	2	D. DROZD
	3	A. BARON

STEP	E	Y AXIS	STEP	TIMES
REP	E	X AXIS	STEP	TIMES

ETCH REV.	E-P2
-----------	------

SIGNATURES	DATE
DRN. DAVID DROZD	11-82
CHK D. [Signature]	1-83
MECH. ENG. [Signature]	1-83
PROJ. ENG. [Signature]	1-83

TITLE: 869 PILOT CONTROL BOARD

SCALE	2/1	SIZE	CODE	NUMBER	REV
SHT.	1 OF 1	0	UA	5413016-0-0	J

NEXT HIGHER ASSY. B-00-5413016-0

LINE ITEM	DOCUMENT NUMBER	PART NUMBER	DESCRIPTION	QTY PER VARIATION	REFERENCE DESIGNATOR
1	D-MD-5013015-0-0	5013015-00	869 PILOT CONTROL BD	1	
2		1000075-00	25 MFD 25V +75-10% AL EL	1	C2
3		1015578-00	2100 MFD 40V +75-10% AL EL	1	C1
4		1018866-01	.022 MFD 800V 20% POLYPROP	1	C3
5		1010274-00	.22 MFD 50V +80-20% Z5U CER	2	C4,C5
6		1105796-00	1N 4004 PIV=400 I= 1A D041 SP	11	D1-D7,D9,D11,D8,D14
7		1110836-00	1N 759A VZ= 12.0 5% .40W	1	D10
8		1110925-00	ITTZ429 VZ= 5.1 2% .40W M	1	D12
9		1212297-00	MATE-N-LOK 02PIN(1X02).250CC HDR	1	J3
10		1212297-02	MATE-N-LOK 09PIN(2X05).250CC HDR	1	J2
11		1212297-03	MATE-N-LOK 03PIN(1X03).250CC HDR	1	J1
12		1214380-00	RLY,G.P., SPST, 0.5A	1	K1
13		1214853-00	RLY,REED FORM B 12V,1A	1	K2
14	SEE NOTE 43	1214409-01	HEAT SINKS, 03.00X01.2	1	
15		1300228-00	100.0 .50 W 5.0 % CC	1	R13
16		1300316-00	470.0 .25 W 5.0 % CC	1	R3
17		1300365-00	1.0 K .25 W 5.0 % CC	2	R11,R14
18		1300443-00	3.90 K .50 W 5.0 % CC	1	R1
19		1300447-00	4.70 K .25 W 5.0 % CC	2	R2,R10
20		1301972-00	270.0 .25 W 5.0 % CC	1	R12
21		1302177-00	47.0 K .25 W 5.0 % CC	2	R7,R8
22		1302398-00	470.0 K .25 W 5.0 % CC	1	R6
23		1302466-00	100.0 K .25 W 5.0 % CC	1	R9
24		1303178-00	620.0 .25 W 5.0 % CC	1	R4
25		1305346-00	27.0 K .25 W 5.0 % CC	1	R5
26		1510705-00	XA 05 NPN 500MW SI 60 50 P	3	Q2,Q4,Q5
27		1510706-00	XA 55 PNP 500MW SI 60 50 P	1	Q1
28		1514508-00	TIP 121 NPN 65W SI 80 1000 B	1	Q3
29		1914471-00	78L08 VOLT REG, FIX +8V	1	Z2
30		1914473-00	DEC 7815 VOLT REG, FIX +15V	1	Z1

REVISION HISTORY			BASIC PART NO: 5413016			D I G I T A L			
ENG	ECO NUMBER	REV	SECTION A OF A	DRN:	R.BUREAU	DATE:	02-MAY-78	TITLE	PARTS LIST
RR	INIT	D	SECTION VARIATION INDEX	CHK'D:	E.S.	DATE:	02-MAY-75	869 PILOT CONTROL BOARD	
J.A.	ML002	E	[A] 00	DES.ENG:	R.KENNEDY	DATE:	02-MAY-78	DOCUMENT NUMBER	
LT	00003	F	[B]	RESP.ENG.:	R.KENNEDY	DATE:	02-MAY-78	SIZE	CODE
L.D.	5413016-ML004	H	[C]	MFG.ENG.:	E.BLAIR	DATE:	02-MAY-78	NUMBER	REV
A.B.	5413016-ML05B	H1	[D]	ASSEMBLY NUMBER:		TOP DOCUMENT NUMBER:		FILE NAME:	EDIT #
A.B.	5413016-ML005	J	[E]	D-UA-5413016-0-0		#B-DD-5413016-0		Z0559J.PLS	26
			[F]						
			[G]						
			[H]						
			[I]						
			[J]						

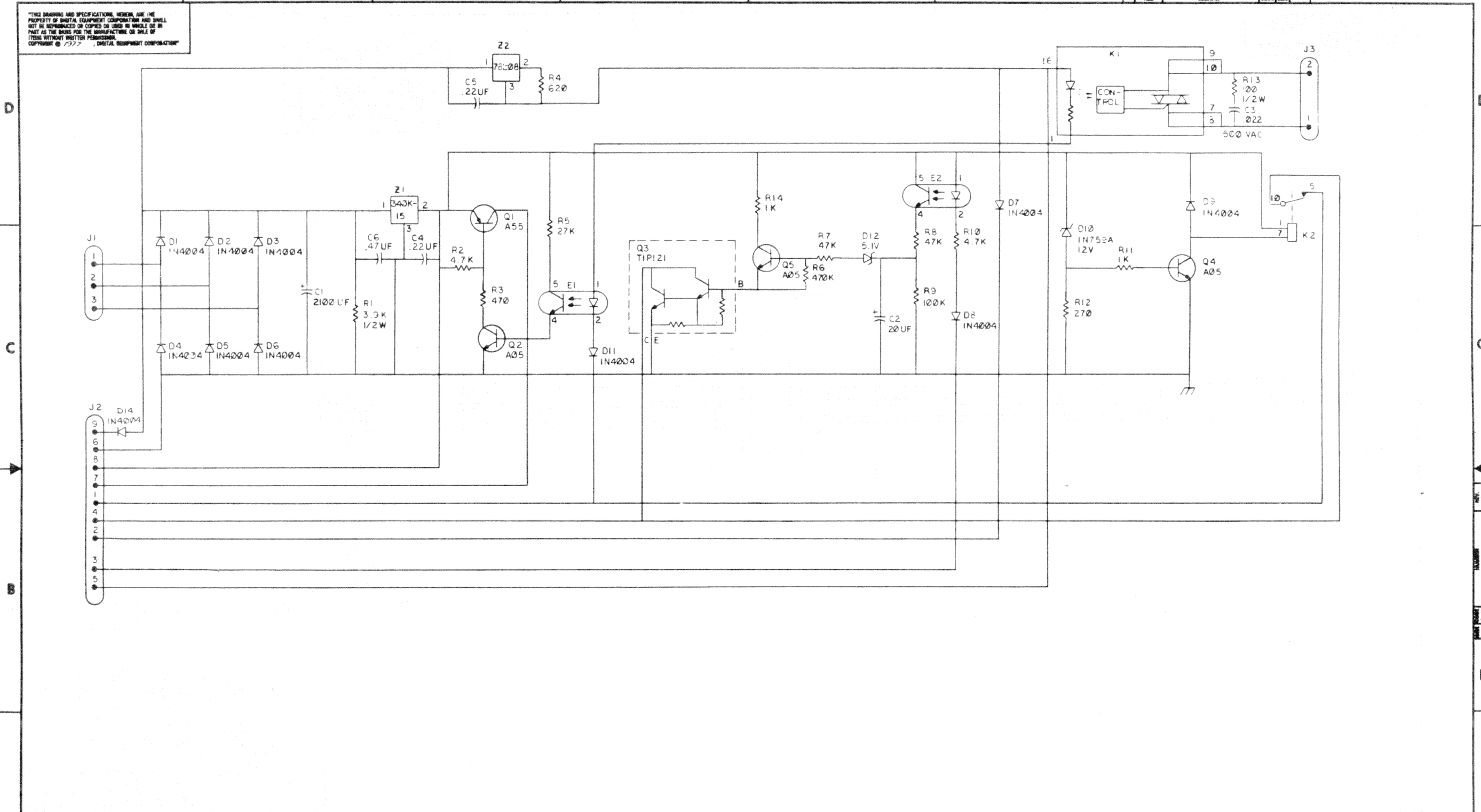
\* THIS DRAWING AND SPECIFICATIONS HEREIN, ARE THE PROPERTY OF DIGITAL EQUIPMENT CORPORATION AND SHALL NOT BE REPRODUCED OR COPIED OR USED IN WHOLE OR IN PART AS THE BASIS FOR THE MANUFACTURE OR SALE OF ITEMS WITHOUT WRITTEN PERMISSION. COPYRIGHT (C) 1982. DIGITAL EQUIPMENT CORPORATION \*

LINE	ITEM	DOCUMENT NUMBER	PART NUMBER	DESCRIPTION	QTY PER VARIATION 00	REFERENCE DESIGNATOR
31	31		1911998-00	4N26 OPTO COUPLED ISLTR	2	E1,E2
32	32		9007930-00	TERM,RING #10STUD CRIMP 16-2	1	
33	33		9107410-54	WIRE, 18AWG( 19/30)IPVC 150V	A/R	
34	34		1213071-02	INSULATOR,RUBBER SILICONE SM	1	
35	35		9006023-01	SCREW,MACH PAN PHIL 6-	2	
36	36		9008185-00	NUT,KEP 6-32X 1/4 AF	4	
37	37		9006656-00	WASHER,FLAT STEEL	4	
38	38		9009676-00	TERM,SOLDER BARRIER STR	2	
39	39		1210244-01	GRIPLET, .050 STRIP FORM	2	
40	40		9107295-11	TUBING,TEFLON .066ID	A/R	
41	41		1012312-01	.47 MFD 50V +80-20% CER	1	C6
42	42		9006024-01	SCREW,MACH PAN PHIL 6-	2	

43 NOTE: HEAT SINK USED UNDER P/N 1914473-00

D	I	G	I	T	A	L	TITLE	SECTION A OF A	SIZE	CODE	DOCUMENT NUMBER	REV
							869 PILOT CONTROL BOARD		K	PL	5413016-0-DBF	J

THIS DRAWING AND SPECIFICATIONS HEREAFTER ARE THE PROPERTY OF DIGITAL EQUIPMENT CORPORATION AND SHALL NOT BE REPRODUCED OR COPIED OR USED IN WHOLE OR IN PART AS THE BASIS FOR THE MANUFACTURE OR SALE OF THIS WITHOUT WRITTEN PERMISSION. COPYRIGHT © 1977 DIGITAL EQUIPMENT CORPORATION



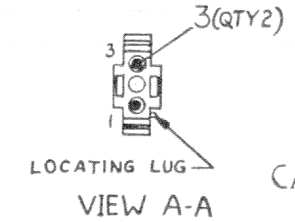
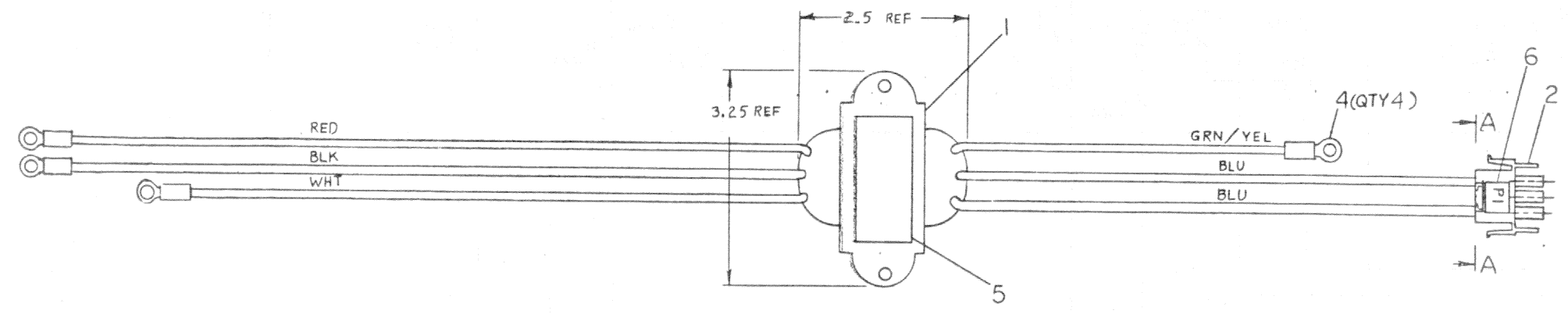
REV. NO.	REV. DATE	BY	CHKD.
1		R. KENNEDY	
2		R. KENNEDY	
3		R. KENNEDY	
4		R. KENNEDY	
5		R. KENNEDY	
6		R. KENNEDY	
7		R. KENNEDY	
8		R. KENNEDY	
9	6-10-82	A. BARON	
10		A. BARON	

DRN	CHK'D	ENG.	PROJ. ENG.	NEXT HIGHER ASSY.	D-UA	SCALE	SHEET	OF	FIRST USED ON	TITLE	SIZE	CODE	NUMBER	REV.
					5413016-0-0		1	1	869	PILOT CONTROL BOARD	D	CS	5413016-0-1	J

THIS DRAWING AND SPECIFICATIONS HEREIN ARE THE PROPERTY OF DIGITAL EQUIPMENT CORPORATION AND SHALL NOT BE REPRODUCED OR COPIED OR USED IN WHOLE OR IN PART AS THE BASIS FOR THE MANUFACTURE OR SALE OF ITEMS WITHOUT WRITTEN PERMISSION.  
 COPYRIGHT © 1978, DIGITAL EQUIPMENT CORPORATION

8 7 6 5 4 3 2 1  
 0-0-2286907  
 7015932-0-0

WIRE COLOR	CUT LENGTH
RED	10.0 IN
BLK	10.0 IN
WHT	10.0 IN
BLU	8.0 IN
BLU	8.0 IN
GRN/YEL	5.25 IN



CAUTION: SEE OFF SHEET PARTS LIST  
 K-PL-7015932-0-DBP (Z4232B.PLS)

ITEM NO.	DESCRIPTION	DWG. PART NO.	ITEM NO.
1	POWER CONNECTOR DECAL	7409872-2	6
1	LABEL, IDENT, ADHESIVE	9009255-01	5
4	RING, TERMINAL, RED	9007930-00	4
2	SOCKET MATE-N-LOC	1212170-00	3
1	3PIN MATE-N-LOC UNIV SKT	1212167-00	2
1	TRANSFORMER, STEP-DOWN	1615757-00	1

UNLESS OTHERWISE SPECIFIED DIMENSIONS ARE IN INCHES	
ANGLES 90° 30'	CLASS OF ACCURACY
SURFACE QUALITY IN	MEDIAN
MICROINCHES	PREFERRED

THIRD ANGLE PROJECTION

REMOVE BURRS AND BREAK SHARP CORNERS

DO NOT SCALE DWG

MATERIAL SEE PARTS LIST

FINISH

DRN. *J. F. Sullivan* 12-9-78  
 CHK'D *J. F. Sullivan* 12/18/78  
 ENG. *J. F. Sullivan* 12/18/78  
 PROD. *J. F. Sullivan* 12/18/78

FIRST USED ON  
 VAX 11/750

TITLE  
 TRANSFORMER ASSY  
 (CONTROLLER)

SIZE D  
 CODE TA  
 NUMBER 7015932-0-0  
 REV. B

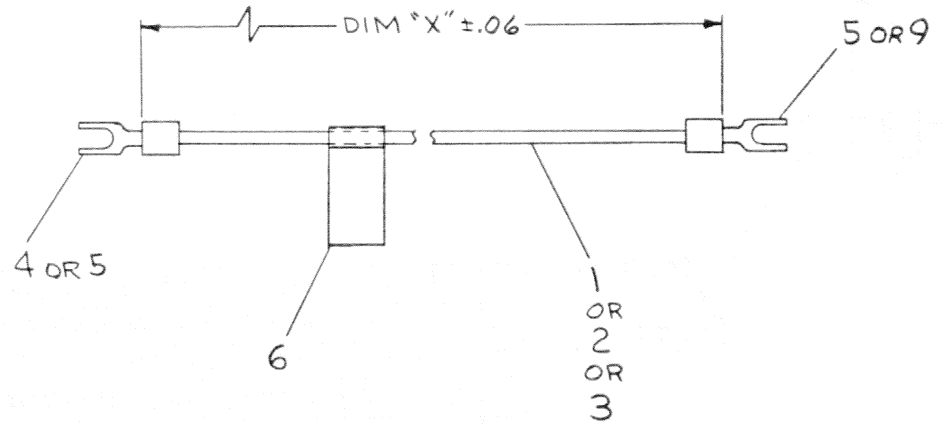
REV.	CHG. NO.	DATE	BY	APP.
A	1	12/18/78	J. F. Sullivan	
B	1	12/18/78	J. F. Sullivan	

7015932-0-0



"THIS DRAWING AND SPECIFICATIONS, HEREIN, ARE THE PROPERTY OF DIGITAL EQUIPMENT CORPORATION AND SHALL NOT BE REPRODUCED OR COPIED OR USED IN WHOLE OR IN PART AS THE BASIS FOR THE MANUFACTURE OR SALE OF ITEMS WITHOUT WRITTEN PERMISSION. COPYRIGHT © 1979, DIGITAL EQUIPMENT CORPORATION"

LEGEND	
NUMBER	VARIATION DIM. "X"
7016891-00	5.0 (BLK)
7016891-01	13.0 (BRN)
7016891-02	13.0 (ORG)
7016891-03	5.0 (BRN)
7016891-04	5.0 (BLU)



CAUTION: SEE OFF SHEET PARTS LIST  
K-PL-7016891-0-DBP.  
(Z3319B.PLS)

QTY	VAR	DESCRIPTION	DWG./PART NO.	ITEM NO.
-	-	TERM, SPADE LUG	9009695-05	9
A/R	-	WIRE, 14 AWG BLUE	9107370-66	8
-	A/R	WIRE, 14 AWG BROWN	9107370-11	7
1	1	LABEL, CABLE IDENT	3616073-00	6
2	2	TERM. SPADE LUG	9009695-00	5
-	-	TERM. SPADE LUG	9009695-04	4
-	-	WIRE 18 AWG ORANGE	9107360-33	3
-	-	WIRE 18 AWG BROWN	9107360-11	2
-	-	WIRE 14 AWG BLACK	9107370-00	1

QUANTITY & VARIATION		UNLESS OTHERWISE SPECIFIED DIMENSIONS ARE IN INCHES							
7016891-04	00	ANGLES 10° 30'	CLASS OF ACCURACY						
7016891-03	00	SURFACE QUALITY IN	NOMINAL DIMENSION RANGE INCHES						
7016891-02	01	MICROINCHES	OVER 0 TO 0.2	OVER 0.2 TO 1.2	OVER 1.2 TO 4.0	OVER 4.0 TO 12.0	OVER 12.0 TO 40.0	OVER 40.0 TO 80.0	
7016891-01	01	<input checked="" type="checkbox"/> MEDIUM	±.004	±.008	±.012	±.018	±.024	±.04	
7016891-00	00	<input checked="" type="checkbox"/> PREFERRED	±.012	±.018	±.025	±.04	±.063	±.1	

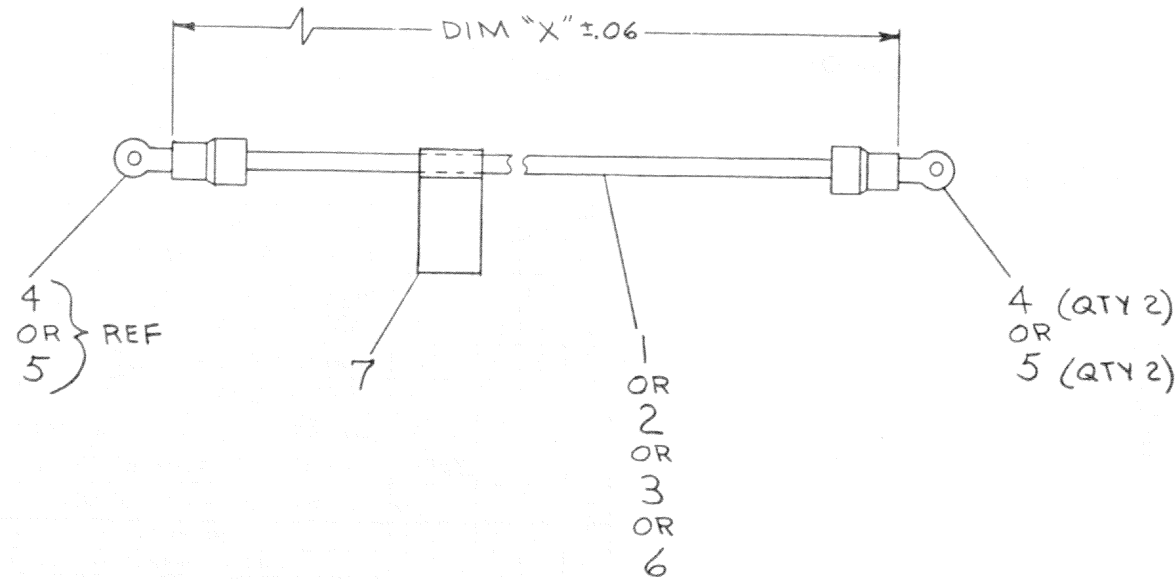
REV.	CHANGE NO.	BY	DATE
A	7016891-TW001	K. KNOWLES	2/13/79
B	7016891-TW002	K. KNOWLES	2/13/79
C	7016891-TW003	K. KNOWLES	2/13/79

THIRD ANGLE PROJECTION	DRN. P. J. ...	FIRST USED ON	11/750
REMOVE BURRS AND BREAK SHARP CORNERS	CHK'D J. F. Sullivan	TITLE	JUMPER, A
DO NOT SCALE DWG	PROJ. ENG. ...	SIZE	C IA
MATERIAL SEE PARTS LIST	PROD. ...	NUMBER	7016891-0-0
FINISH	E-AD-7015857-0-0	REV.	B

REV. B  
NUMBER 7016891-0-0  
SIZE CODE C IA

"THIS DRAWING AND SPECIFICATIONS, HEREIN, ARE THE PROPERTY OF DIGITAL EQUIPMENT CORPORATION AND SHALL NOT BE REPRODUCED OR COPIED OR USED IN WHOLE OR IN PART AS THE BASIS FOR THE MANUFACTURE OR SALE OF ITEMS WITHOUT WRITTEN PERMISSION. COPYRIGHT © 1979, DIGITAL EQUIPMENT CORPORATION"

LEGEND	
NUMBER	VARIATION
	DIM. "X"
7016895-00	6.5 (BRN)
7016895-01	6.5 (BLU)
7016895-02	4.0 (GRN/YEL)
7016895-03	6.5 (BRN)



QTY	DESCRIPTION	DWG./PART NO.	ITEM NO.			
1	1	1	1	LABEL, CABLE IDENT	3616073-00	7
65	-	-	-	WIRE 14 AWG BROWN	9107370-11	6
2	-	-	-	TERM, RING, BLUE	9007928-00	5
-	2	2	2	TERM, RING, YELLOW	9007926-01	4
-	4.0	-	-	WIRE 10 AWG GRN/YEL	9107779-54	3
-	-	65	-	WIRE 10 AWG BLUE	9107390-66	2
-	-	-	65	WIRE 10 AWG BROWN	9107390-11	1

DESCRIPTION	DWG./PART NO.	ITEM NO.					
UNLESS OTHERWISE SPECIFIED DIMENSIONS ARE IN INCHES							
ANGLES ±0° 30'	CLASS OF ACCURACY (CHECK ONE)	NOMINAL DIMENSION RANGE INCHES					
SURFACE QUALITY IN MICROINCHES	MEDIUM <input type="checkbox"/> PREFERRED <input type="checkbox"/>	OVER 0 TO 0.2	OVER 0.2 TO 1.2	OVER 1.2 TO 4.0	OVER 4.0 TO 12.0	OVER 12.0 TO 40.0	OVER 40.0 TO 80.0
		±.004	±.008	±.012	±.016	±.024	±.04
		±.012	±.016	±.025	±.04	±.063	±.1

THIRD ANGLE PROJECTION	DRN. P. [Signature] 13 MAR 79	FIRST USED ON 11/750	digital
REMOVE BURRS AND BREAK SHARP CORNERS	CHK'D J.F. [Signature] 23 MAR 79	TITLE JUMPER, C	
DO NOT SCALE DWG	ENG. [Signature] 6/29/79	MATERIAL SEE PARTS LIST	
	PROJ. ENG. [Signature]	SCALE 1/1	FINISH H
	PROD. [Signature] 6/29/79	NEXT HIGHER ASSY. E-AD-7015929-00	
		SIZE C	CODE IA
		NUMBER 7016895-0-0	
		REV. *	
		SHEET 1 OF 1	DIST.

REVISIONS	REV.
CHANGE NO.	
CHK	

DEC FORM NO. DMC 100-C

A B C D

A B C D

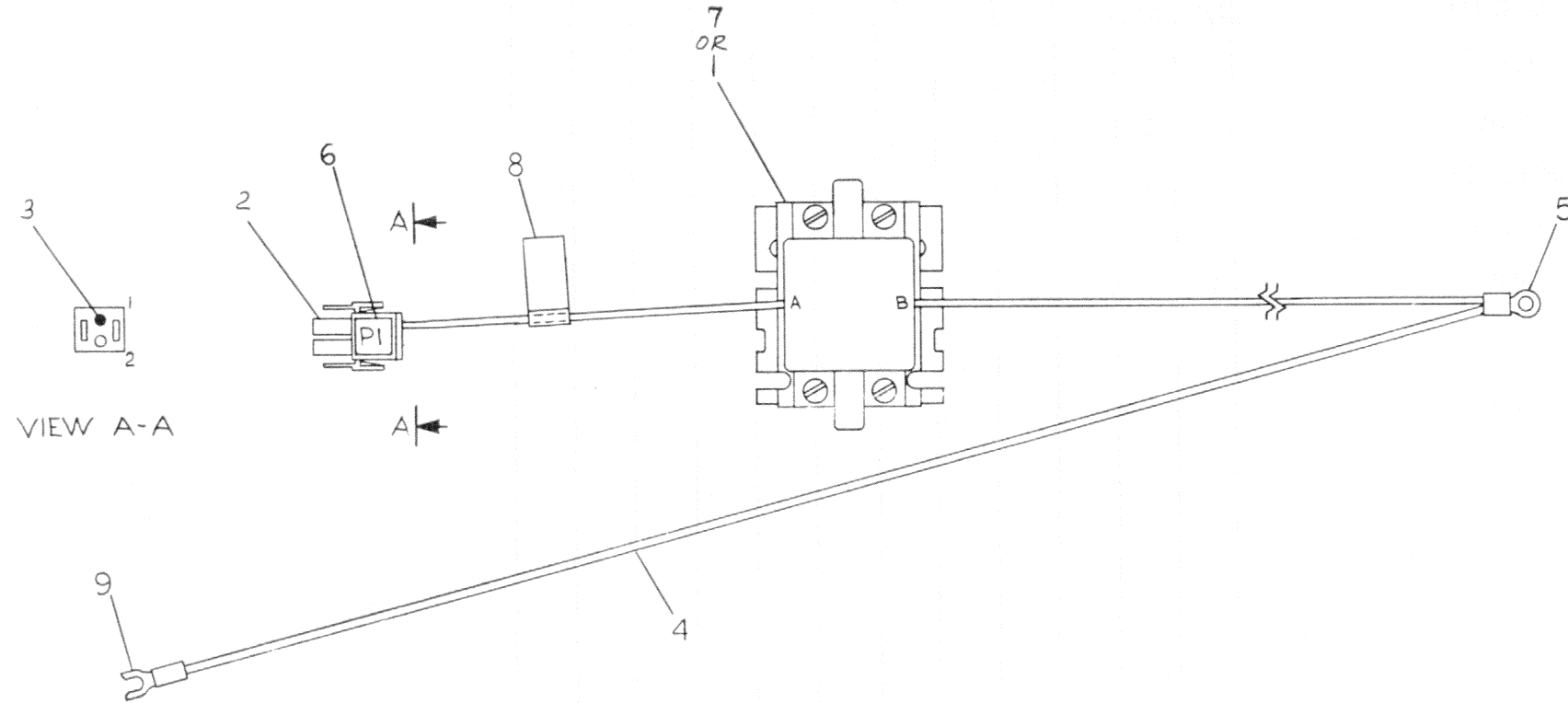
4 3 2 1 TW

REV. NUMBER 7016895-0-0

THIS DRAWING AND SPECIFICATIONS HEREIN ARE THE PROPERTY OF DIGITAL EQUIPMENT CORPORATION AND SHALL NOT BE REPRODUCED OR COPIED OR USED IN WHOLE OR IN PART AS THE BASIS FOR THE MANUFACTURE OR SALE OF ITEMS WITHOUT WRITTEN PERMISSION. COPYRIGHT © 1978, DIGITAL EQUIPMENT CORPORATION.

WIRE TABLE							
ITEM NO	DESCRIPTION		FROM		TO		PRECUT LENGTH/IN
	AWG	COLOR	CONN.	TERM	CONN	TERM	
1 OR 7	18	YEL	-A	—	PI-1	3	6.5 ± .5 IN
4	14	BLU	—	9	—	5	17.0 ± .5 IN
1 OR 7	18	YEL	-B	—	—	—	7.5 ± .5 IN

LEGEND	
NUMBER	VARIATION
7016394-00	120 V
7016394-01	240 V



VIEW A-A

CAUTION: OFF SHEET PARTS LIST  
SEE B-PL-7016394-0-0

REV.	CHANGE NO.	DESCRIPTION
A	1	7016394-TW001
A	2	7016394-TW002

J.B. DAVIS

QUANTITY & VARIATION	DESCRIPTION	DWG. PART NO.	ITEM NO.
	UNLESS OTHERWISE SPECIFIED DIMENSIONS ARE IN INCHES		
	ANGLES	CLASS OF ACCURACY	NOMINAL DIMENSIONS RANGE INCHES
	10° 30'	(CHECK ONE)	OVER 0 TO 1.2 OVER 1.2 TO 4.0 OVER 4.0 TO 12.0 OVER 12.0 TO 40.0 OVER 40.0 TO 90.0
	SURFACE QUALITY	MEDIUM	1.004 1.008 1.012 1.016 1.034 1.04
	MICROINCHES	PREFERRED	1.012 1.016 1.028 1.04 1.065 1.1
THIRD ANGLE PROJECTION	DRN. <i>J.B. Davis</i>	FIRST USED ON	11/750
REMOVE BURRS AND BREAK SHARP CORNERS	CHK'D BY <i>J.B. Davis</i>	ENG. <i>J.B. Davis</i>	TITLE
DO NOT SCALE DWG	PROG. ENGR. <i>J.B. Davis</i>	PROD. <i>J.B. Davis</i>	CONTACTOR ASSY
MATERIAL SEE PARTS LIST	NEXT HIGHER ASSY.	SIZE CODE	NUMBER
FINISH	E-AD-7015929-0-0	D	IA 7016394-0-0
	SCALE 1/1	SHEET	REV. A
	1 OF 1	DIST.	

D IA 7016394-0-0

# DIGITAL EQUIPMENT CORPORATION PARTS LIST

MADE BY DATE	A. MOWRY 2-13-79	CHECKED DATE	J. SULLIVAN 2-14-79
SECTION	1	ISSUED SECTION	1
ENG DATE	<i>J. M. [signature]</i> 6-27-79	PROD DATE	<i>J. Sullivan</i> 6-29-79

QUANTITY / VARIATION

NOTES:

1: K-PL-"Z NUMBER " is Z0364

ITEM NO.	DRAWING NO.	PART NO.	DESCRIPTION
1		1214283-02	CONTACTOR, MAGNETIC, 120V
2		1212167-02	2 PIN CONN, UNIV MATE-N-LOK
3		1212170-00	SOCKET, UNIV MATE-N-LOK
4		9107370-66	WIRE, STRAND, 14AWG (BLU)
5		9007926-01	TERMINAL, RING (YEL)
6	A-DC-7409872-0-0	7409872-2	POWER CONNECTOR DECAL
7		1214283-03	CONTACTOR, MAGNETIC, 240V
8		3616073-00	LABEL, IDENTIFICATION
9		9009695-00	TERMINAL, SPADE (BLU)

7016394-00	7016394-01																		
1	-	1	1	1	1	1	1	1	1	1	1	1	1	1	1	1	1	1	1

REF DESIGNATION

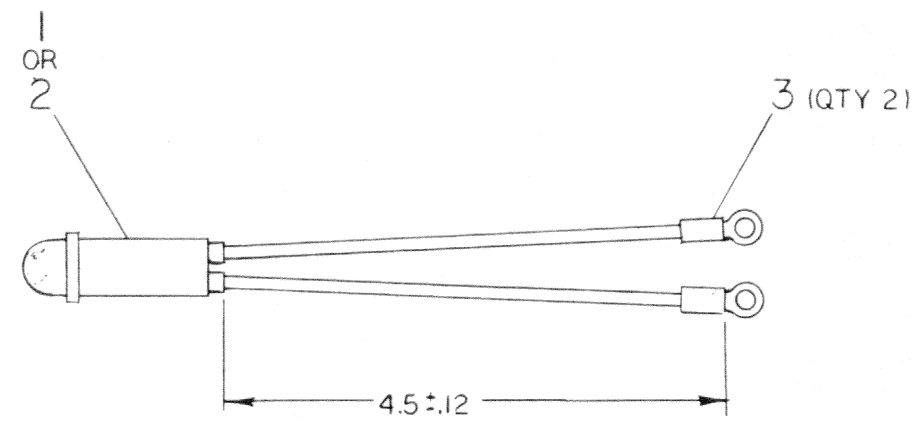
E.C.O. NO.  
7016394-  
TW001

<p>"THIS DRAWING AND SPECIFICATIONS, HEREIN, ARE THE PROPERTY OF DIGITAL EQUIPMENT CORPORATION AND SHALL NOT BE REPRODUCED OR COPIED OR USED IN WHOLE OR IN PART AS THE BASIS FOR THE MANUFACTURE OR SALE OF ITEMS WITHOUT WRITTEN PERMISSION. COPYRIGHT © DIGITAL EQUIPMENT CORPORATION"</p>	<p>TITLE CONTACTOR ASSY</p>	<p>ASSY NO. D-IA-7016394-0-0</p>	<p>SIZE B</p>	<p>CODE PL</p>	<p>NUMBER 7016394-0-0</p>	<p>REV. A</p>
<p>DRB 125</p>		<p>SHEET 1 OF 1</p>		<p>INSERTION PARTS LIST DATA BASE REV</p>		

*Tu*

"THIS DRAWING AND SPECIFICATIONS, HEREIN, ARE THE PROPERTY OF DIGITAL EQUIPMENT CORPORATION AND SHALL NOT BE REPRODUCED OR COPIED OR USED IN WHOLE OR IN PART AS THE BASIS FOR THE MANUFACTURE OR SALE OF ITEMS WITHOUT WRITTEN PERMISSION. COPYRIGHT ©1979 DIGITAL EQUIPMENT CORPORATION"

LEGEND	
PART NO.	VARIATION
7016893-00	120 V
7016893-01	240 V



QTY	DESCRIPTION	DWG./PART NO.	ITEM NO.
2	TERM RING, RED	9007930-00	3
1	PILOT LAMP NEON (RED)	1202556-00	2
1	PILOT LAMP NEON (WHT)	1205303-00	1

CLASS OF ACCURACY (CHECK ONE)	NOMINAL DIMENSION RANGE INCHES					
	OVER 0 TO 0.2	OVER 0.2 TO 1.2	OVER 1.2 TO 4.0	OVER 4.0 TO 12.0	OVER 12.0 TO 40.0	OVER 40.0 TO 80.0
MEDIUM	±.004	±.008	±.012	±.018	±.024	±.04
PREFERRED	±.012	±.018	±.025	±.04	±.063	±.1

THIRD ANGLE PROJECTION	DRN. <i>A. Mowry</i> 17MAR79	FIRST USED ON	11/750
REMOVE BURRS AND BREAK SHARP CORNERS	CHK'D <i>D. Austin</i> 23MAR79	<b>digital</b>	
DO NOT SCALE DWG	ENG. <i>W. H. ...</i> 4/23/79	TITLE PILOT LAMP ASSY	
MATERIAL SEE PARTS LIST	PROD. ENG. <i>W. H. ...</i> 4/16/79	NEXT HIGHER ASSY.	
FINISH <i>H</i>	E-AD-7015929-0-0	SIZE CODE	NUMBER
	SCALE 1/1	C IA	7016893-0-0
	SHEET 1 OF 1	DIST.	REV. *

REV.	CHANGE NO.

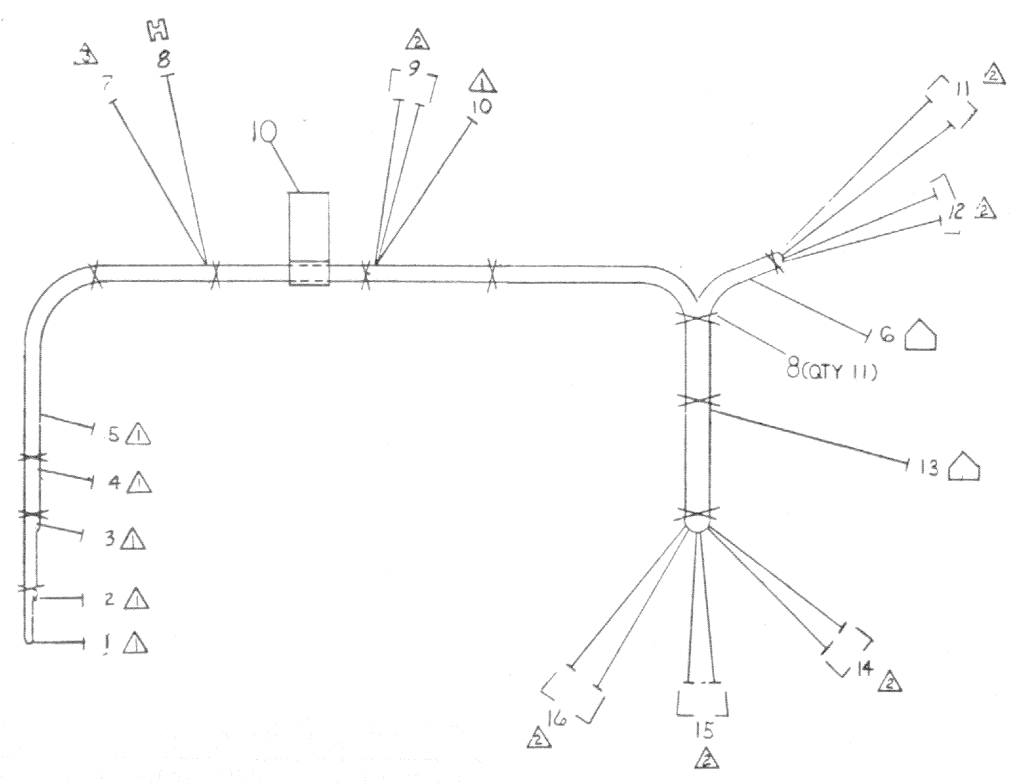
DEC FORM NO. 100-e

REV. NUMBER  
C IA 7016893-0-0

THIS DRAWING AND SPECIFICATIONS HEREOF ARE THE PROPERTY OF DIGITAL EQUIPMENT CORPORATION AND SHALL NOT BE REPRODUCED OR COPIED OR USED IN WHOLE OR IN PART AS THE BASIS FOR THE MANUFACTURE OR SALE OF ITEMS WITHOUT WRITTEN PERMISSION.  
COPYRIGHT © 1978, DIGITAL EQUIPMENT CORPORATION

ITEM NO	DESCRIPTION		FROM			TO			PRECUT LENGTH INCH ±.12
	AWG	COLOR	POINT	CONNECTOR	TERM	POINT	CONNECTOR	TERM	
1	14	BRN	16	—	5	8	—	7	17.25 IN
2	14	BRN	6	—	—	12	—	5	9.00
2	↑	BRN	6	—	—	12	—	5	6.38
2	↑	BRN	15	—	5	11	—	5	9.25
2	↑	BRN	15	—	5	11	—	5	9.25
3	↑	BLU	14	—	5	3	—	4	17.75
3	↑	BLU	14	—	5	4	—	4	17.00
2	↑	BRN	10	—	4	7	—	6	9.50
↑	↑	↑	9	—	5	2	—	4	12.25
↑	↑	↑	9	—	5	1	—	4	13.25
2	14	BRN	12	—	—	5	—	4	15.50 IN

NOTES:  
1. ADD BRADY MARKERS (ITEM 9) TO EACH POINT NUMBERED THE SAME AS THE POINT



DO NOT REDUCE  
SCALE  
6 IN. 12 IN.  
FOR MANUFACTURING PURPOSES ONLY

CAUTION: OFF SHEET PARTS LIST  
SEE K-PL-7016504-0-DBP  
(Z5540D.PLS)

REV.	CHANGE NO.	DATE	BY	CHK'D
A	1	12/15/78	J. B. DAVIS	
B	2	1/10/79	K. KNOWLES	
C	3	1/10/79	A. RUSZCZYK	
D	4	1/10/79	K. KNOWLES	
			B. BAUSHA	

THIRD ANGLE PROJECTION		DRN. <i>B. Bausha</i> 5 DEC 78		FIRST USED ON		digital	
REMOVE BURRS AND BREAK SHARP CORNERS		CHK'D <i>J. Sullivan</i> 1 JAN 79		TITLE		POWER DISTRIBUTION HARNESS	
DO NOT SCALE DWG		ENGR. <i>K. Knowles</i> 1 JAN 79		PROJECT		VAX 11/750	
MATERIAL SEE PARTS LIST		PROJ. ENGR. <i>B. Bausha</i> 6/19/78		NEXT HIGHER ASSY.		E-AD-7015929-0-0	
FINISH		SCALE		SIZE		CODE	
SHEET		OF		DIST.		NUMBER	
						7W	

DIGITAL 7016504-0-C

# DIGITAL EQUIPMENT CORPORATION PARTS LIST

MADE BY A. MOWRY	CHECKED J.F. SULLIVAN	SECTION	
DATE 12/5/78	DATE 1/18/79		1
ENG <i>H. J. Frawley</i>	PROD <i>J. K. Amault</i>	ISSUED SECTION	1
DATE 6-27-79	DATE 6-29-79		

QUANTITY / VARIATION

NOTES:

1. K-PL "Z NUMBER" IS Z 0371

ITEM NO.	DRAWING NO.	PART NO.	DESCRIPTION	7016504-00	SYMBOL									REF DESIGNATION
1		9107360-11	WIRE 18 AWG STRD BRN	A/R										
2		9107370-11	WIRE 14 AWG STRD BRN	A/R										
3		9107370-66	WIRE 14 AWG STRD BLU	A/R										
4		9007928-00	RING TERM BLU	6	△									
5		9007926-01	RING TERM YEL	6	△									
6		9009695-00	SPADE TERM BLU	1	△									
7		1212170-00	SKT, UNIV, MATE-N-LOK	1	△									
8		9007031-00	TIE WRAP	11	△									
9		9008356-01	Brady Marker 1-48	A/R	X									
10		3616073-00	LABEL, CABLE IDENT.	1										

E.C.O. NO.  
7016504-TW001  
7016504-TW002  
7016504-TW003

"THIS DRAWING AND SPECIFICATIONS, HEREIN, ARE THE PROPERTY OF DIGITAL EQUIPMENT CORPORATION AND SHALL NOT BE REPRODUCED OR COPIED OR USED IN WHOLE OR IN PART AS THE BASIS FOR THE MANUFACTURE OR SALE OF ITEMS WITHOUT WRITTEN PERMISSION. COPYRIGHT © 1979 DIGITAL EQUIPMENT CORPORATION"

TITLE  
POWER DISTRIBUTION  
HARNESS

ASSY NO.  
D-IA-7016504-00  
SHEET 1 OF 1

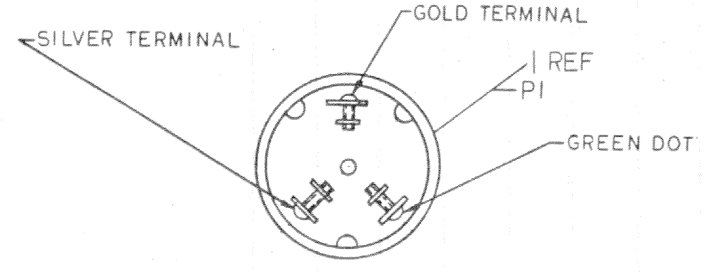
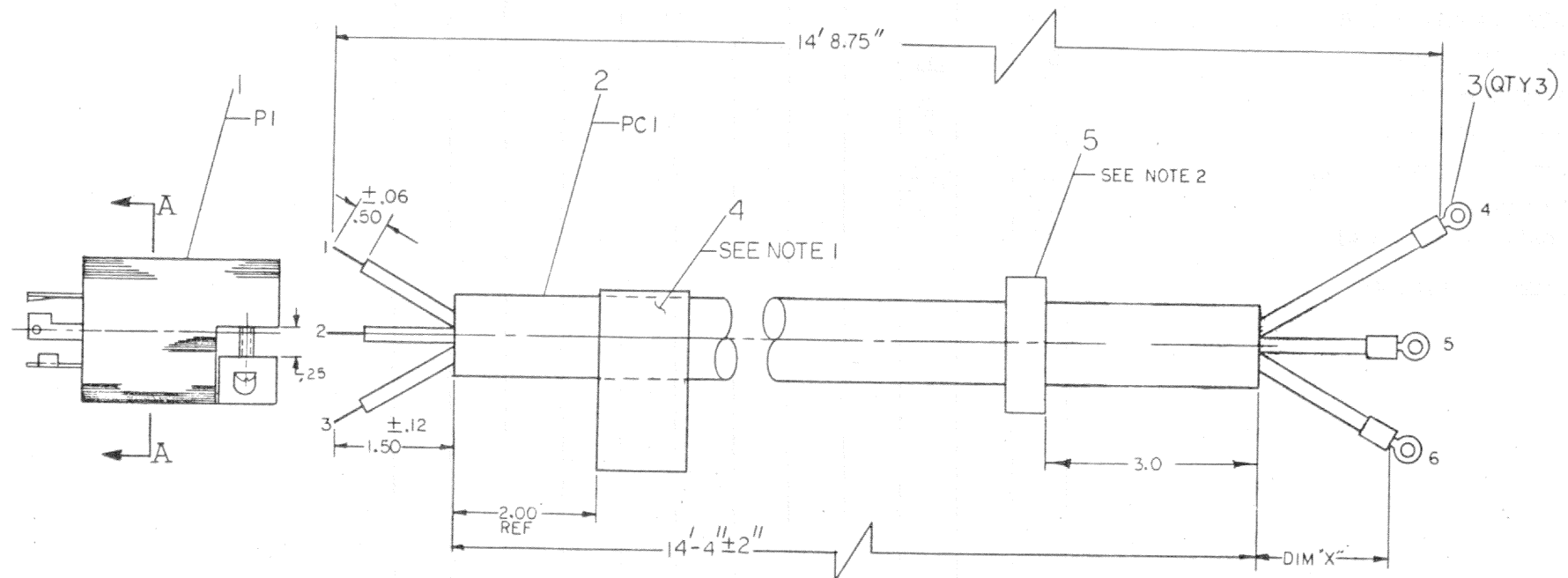
SIZE	CODE	NUMBER	REV
<b>B</b>	<b>PL</b>	7016504-0-0	C
INSERTION PARTS LIST DATA BASE REV			

*TW*

THIS DRAWING AND SPECIFICATIONS, HEREIN, ARE THE PROPERTY OF DIGITAL EQUIPMENT CORPORATION AND SHALL NOT BE REPRODUCED OR COPIED OR USED IN WHOLE OR IN PART AS THE BASIS FOR THE MANUFACTURE OR SALE OF ITEMS WITHOUT WRITTEN PERMISSION.  
 COPYRIGHT © 1977, DIGITAL EQUIPMENT CORPORATION

WIRE TABLE							
ITEM	DESCRIPTION	FROM		TO			
NC	AWG	COLOR	CONNECTION	WITH	CONNECTION	WITH	DIM "X"
2	12	GRN/YEL	PCI-1	STRIP	PI-GREEN DOT	---	
2	12	BLUE	PCI-2	STRIP	PI-SILVER TERMINAL	---	
2	12	BROWN	PCI-3	STRIP	PI-GOLD TERMINAL	---	
2	12	GRN, YEL	PCI-4	3			3.0 ± .125
2	12	BLUE	PCI-5	3			2.0 ± .125
2	12	BRN	PCI-6	3			2.0 ± .125

NOTES:  
 1. CAUTION DECAL (ITEM #4) TO BE PLACED APPROXIMATELY (2) INCHES FROM THE END OF POWER PLUG (ITEM #1)  
 2. ITEM 5 TO BE LOCATED APPROXIMATELY 3 INCHES FROM RING TERMINAL END.

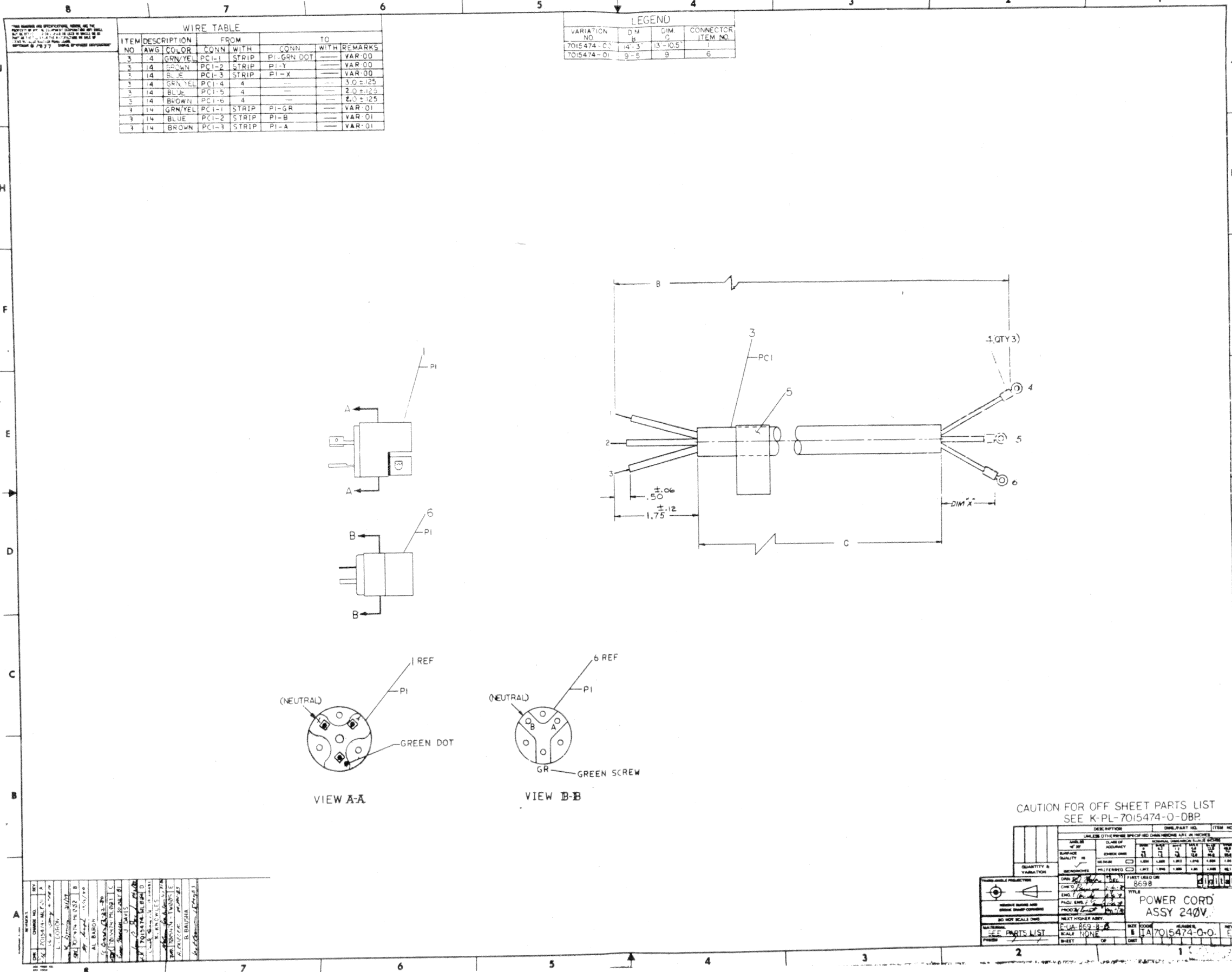


DESCRIPTION	DWG./PART NO.	ITEM NO.
1 LABEL, CABLE IDENT	3616073-00	5
1 DECAL, CAUTION	3611448-00	4
3 TERMINAL, RING (YELLOW)	9007926-01	3
1 POWER CORD	1700025-00	2
1 PLUG, POWER	1211193-00	1

UNLESS OTHERWISE SPECIFIED DIMENSIONS ARE IN INCHES	
ANGLES 90° 30'	CLASS OF ACCURACY (CHECK ONE)
SURFACE QUALITY IN	MEDIUM <input type="checkbox"/> 1.004 1.008 1.012 1.016 1.020 1.024
QUANTITY & VARIATION	PREFERRED <input type="checkbox"/> 1.012 1.016 1.020 1.024 1.028 1.032 1.036
THIRD ANGLE PROJECTION	DRN: <i>[Signature]</i> 3-27-78 CHK'D: <i>[Signature]</i> 4-1-78 ENG: <i>[Signature]</i> 11-2-78 PROJ. ENG. <i>[Signature]</i> 11-6-78 PROD. <i>[Signature]</i> 11-8-78
REMOVE BURRS AND BREAK SHARP CORNERS	FIRST USED ON 869C
DO NOT SCALE DWG	TITLE POWER CORD ASSY 120V
MATERIAL SEE PARTS LIST	SIZE CODE D
FINISH	NUMBER IA7015473-0-0
	REV. A
	SHEET 2 OF 1

REV.	CHANGE NO.	DATE	BY
A	1	11/10/78	L. DOIRON





THIS DRAWING IS SPECIFIC TO THE PARTS LIST AND IS NOT TO BE USED FOR OTHER PARTS LIST. ANY CHANGES TO THIS DRAWING WILL BE MADE BY THE PARTS LIST. DATE OF ISSUE: 10/77. DRAWN BY: [Signature]

REV	DATE	BY	CHKD	DESCRIPTION
1	10/77	[Signature]	[Signature]	INITIAL DESIGN
2	11/77	[Signature]	[Signature]	REVISED TO ADD PARTS LIST
3	12/77	[Signature]	[Signature]	REVISED TO ADD DIMENSIONS
4	1/78	[Signature]	[Signature]	REVISED TO ADD MATERIAL SPECIFICATIONS
5	2/78	[Signature]	[Signature]	REVISED TO ADD FINISH SPECIFICATIONS
6	3/78	[Signature]	[Signature]	REVISED TO ADD TOLERANCES
7	4/78	[Signature]	[Signature]	REVISED TO ADD DIMENSIONS
8	5/78	[Signature]	[Signature]	REVISED TO ADD DIMENSIONS

UNLESS OTHERWISE SPECIFIED DIMENSIONS ARE IN INCHES		DIM PART NO.		ITEM NO.	
FINISH	AS SUPPLIED	8598			
QUANTITY & VARIATION	1				
DESCRIPTION	POWER CORD ASSY 240V				
DATE	10/77	SCALE	NONE	SHEET	1 OF 1

