

**AD01-D  
analog-to-digital  
conversion  
subsystem manual**

1st Printing April 1971  
2nd Printing October 1971  
3rd Printing (Rev) June 1972

Copyright © 1971, 1972 by Digital Equipment Corporation

The material in this manual is for informational purposes and is subject to change without notice.

The following are trademarks of Digital Equipment Corporation, Maynard, Massachusetts:

DEC	PDP
FLIP CHIP	FOCAL
DIGITAL	COMPUTER LAB
UNIBUS	

# CONTENTS

	Page		Page
<b>CHAPTER 1 GENERAL INFORMATION</b>			
1.1	1-1	3.1	3-1
1.2	1-1	3.2	3-1
1.3	1-1	3.3	3-1
1.4	1-1	3.4	3-1
1.5	1-2	3.5	3-2
1.5.1	1-2	3.6	3-2
1.5.2	1-2	3.6.1	3-2
1.5.3	1-2	3.6.2	3-2
1.5.4	1-2	3.6.3	3-3
1.6	1-2	<b>CHAPTER 3 OPERATION AND PROGRAMMING</b>	
<b>CHAPTER 2 INSTALLATION AND ADJUSTMENTS</b>			
2.1	2-1	4.1	4-1
2.2	2-1	4.2	4-1
2.3	2-1	4.3	4-3
2.3.1	2-1	4.3.1	4-3
2.3.2	2-1	4.3.2	4-3
2.3.3	2-1	4.3.3	4-3
2.3.4	2-1	4.3.3.1	4-3
2.3.5	2-1	4.3.3.2	4-3
2.3.6	2-1	4.3.3.3	4-3
2.4	2-1	4.3.3.4	4-3
2.5	2-2	4.3.4	4-3
2.6	2-2	4.3.5	4-3
2.6.1	2-2	<b>CHAPTER 4 PRINCIPLES OF OPERATION</b>	
2.6.2	2-3	5.1	5-1
2.6.3	2-3	5.2	5-2
2.6.3.1	2-3	5.2.1	5-2
2.6.3.2	2-4	5.3	5-2
2.6.4	2-4	5.3.1	5-2
2.6.4.1	2-4	5.3.2	5-2
2.6.4.2	2-5	5.3.3	5-2
2.6.5	2-5	5.3.4	5-3
2.6.6	2-5	5.3.5	5-3
2.6.7	2-6	5.3.6	5-4
<b>CHAPTER 5 MAINTENANCE</b>			
		5.4	5-4

## CONTENTS (Cont)

	Page		Page
5.5	5-4	Module Handling and Repair	
5.6	5-4	Spare Parts	
<b>CHAPTER 6 ENGINEERING DRAWINGS</b>			
		<b>Table No.</b>	<b>Title</b>
		3-2	Output Notations
		5-1	Test Equipment Required
		5-2	Spare Parts List
		6-1	AD01-D Engineering Drawings
<b>APPENDIX A 10-BIT UNIPOLAR CALIBRATION CHART</b>			
<b>APPENDIX B 11-BIT BIPOLAR CALIBRATION CHART</b>			

## ILLUSTRATIONS

Figure No.	Title	Art No.	Page
1-1	AD01-D Configuration	11-0331	1-2
2-1	Option Configuration Diagram	11-0343	2-3
2-2	A812 A/D Converter	11-0332	2-4
2-3	A862 A/D Converter	11-0333	2-4
2-4	A405 Sample and Hold	11-0334	2-5
2-5	A220 Switched-Gain Amplifier	11-0335	2-5
3-1	Address Format	11-0336	3-1
3-2	CSR Format	11-0337	3-1
3-3	DBR Format	11-0338	3-2
3-4	External Clock Timing	11-0339	3-3
4-1	AD01-D Block Diagram	11-0342	4-2
4-2	Timing Generator Circuit	11-0340	4-4
4-3	AD01-D Interrupt Logic	11-0341	4-4
5-1	IC Location	15-0430	5-3
5-2	IC Pin Location	15-0430	5-3

## TABLES

Table No.	Title	Page
1-1	AD01-D Module Complement	1-1
2-1	Channel, Module, and Pin Number Cross-Reference List	2-2
2-2	Power Supply Adjustments	2-2
2-3	Timing Adjustments	2-4
3-1	CSR Bits	3-1



# CHAPTER 1 GENERAL INFORMATION

## 1.1 INTRODUCTION

The AD01-D Analog-to-Digital Converter Subsystem is a peripheral device used with the PDP-11 Computer Systems in data acquisition and control applications. Refer to the *PDP-11 Unibus Interface Manual* for information relevant to the architecture of the computer and peripheral devices.

## 1.2 PURPOSE

The AD01-D operates under computer or external clock control as a highly flexible analog input device to digitize analog inputs connected to directly addressable, multiplex switch modules. As many as eight multiplex switch modules can be implemented. Each module can service four individual analog inputs.

The basic AD01-D provides 10-bit digitization of unipolar, high-level analog signals with a nominal full-scale range of 0V to +1.25V, +2.5V, +5.0V or +10V. These four ranges are program-selectable and are achieved by a selectable gain amplifier. Options are available for digitization of bipolar analog signals and for sample and hold applications.

## 1.3 FUNCTIONAL DESCRIPTION

The AD01-D comprises

- An expandable solid-state input multiplexer
- A programmable input range selector
- A high-speed A/D converter
- The computer interface logic.

The interface logic includes two registers to store control and status information and data. The AD01-D is accessed and controlled by a control and status word with a Move (MOV) instruction. A single control and status word from the computer selects the input range and multiplexer channel and starts the conversion. Other novel features of the interface logic are the ability to place the AD01-D in an interrupting or noninterrupting mode and to select an external clock. In the interrupting mode, the AD01-D can issue an interrupt when conversion is done or when an error condition is produced by starting a new conversion before the previous conversion is complete. The noninterrupting mode enables the converter to approach its maximum throughput rate under program control. After the conversion is complete, the data is easily transferred from the AD01-D to the computer by programming another MOV instruction.

## 1.4 PHYSICAL DESCRIPTION

The AD01-D Analog-to-Digital Converter Subsystem can be configured and modified according to application needs. All logic, options, and a Type H727 A/B Analog Power Supply are housed in a single, 5-1/4 in., rack-mountable assembly. Insertion slots for the multiplex switch modules, bipolar option, and sample and hold option are prewired to simplify field installation and modification. Only simple jumper wire changes are required. The module complement and optional modules for the AD01-D are listed in Table 1-1; the location of each module is shown in Figure 1-1. Logic power for the AD01-D is supplied by a separate H716 Logic Power Supply, which can be rack mounted. Operation with an input voltage of 115V requires an H727-A power supply and the system is designated AD01-DA; an input voltage of 230V requires an H727-B and the system is designated AD01-DB. If rack mounting of the subsystem is desired, DEC offers a 19-in. industrial Type H950 Cabinet with a blower fan and front and rear doors.

Table 1-1  
AD01-D Module Complement

Type/Part No.	Name	Quantity	Location
A124	Four Input Multiplex Switch	1	B16
A124*	Four Input Multiplex Switch	8 (max)	A17-A20 B17-B20
A220	Selectable Gain Buffer Amplifier	1	A16
A862 (AH05)*	Bipolar A/D Converter	1	AB13 (AB12)
A405 (AH04)*	Sample and Hold	1	AB15
A708	Dual Voltage Regulator	1	A24
A812	10-Bit A/D Converter	1	AB12
G736	Request Jumper	1	A10
M105	Address Selector	1	A3
M111	Inverter	1	A9
M112	NOR Gate	1	B7
M113	10-2-Input NAND Gates	1	A7
M161	Binary to Octal/Decimal Decoder	1	B10
M206	Six Flip-Flops	2	AB6
M302	Dual Delay Multivibrator	3	AB11, B8
M501	Schmitt Trigger	1	AB22
M617	6-4-Input NOR Buffers	1	B9
M782	Interrupt Control	1	B3
M783	Unibus™ Drivers	2	AB5
M784	Unibus Receivers	1	A4
M785	Unibus Transceivers	1	B4
M908	Connector	2	AB21

\*Denotes optional modules.

™ Unibus is a trademark of Digital Equipment Corporation.

**1.5 SPECIFICATIONS**

**1.5.1 Environmental**

Temperature: 0°C to +55°C, operating  
-25°C to +85°C, storage

Humidity: to 90 % without condensation

**1.5.2 Power Requirements**

Input voltage (ac): 115V/230V ± 10%

Input frequency (ac): 47 Hz to 63 Hz, single phase

Power dissipation: <75W

**1.5.3 Packaging**

Size: Height: 5-1/4 in.  
Width: 19 in.  
Depth: 12 in.  
(plus separate power supply)

Weight: 15 lb

**1.5.4 Performance Parameters**

Conversion time: 22 μs, including channel and gain selection with or without sample and hold option. Bipolar option adds 7 μs.

Conversion aperture: 17.5 μs,  
24 μs with Bipolar Option AH05, or  
0.1 μs with Sample and Hold Option AH04

Sample and Hold Acquisition: 5 μs to 0.01% of full-scale step change

Aperture: 100 ns

Number of analog input channels: 4 minimum (expandable to 32 in groups of 4)

Input voltage range (program-selectable): 0V to ±1.25V, ±2.5V, ±5.0V or ±10.0V, full-scale

Unipolar: 0V to ±1.25V, ±2.5V, ±5.0V or ±10.0V, full-scale

Bipolar: ±0.1% of full-scale

System accuracy: ±0.125% of full-scale with Sample and Hold Option AH04

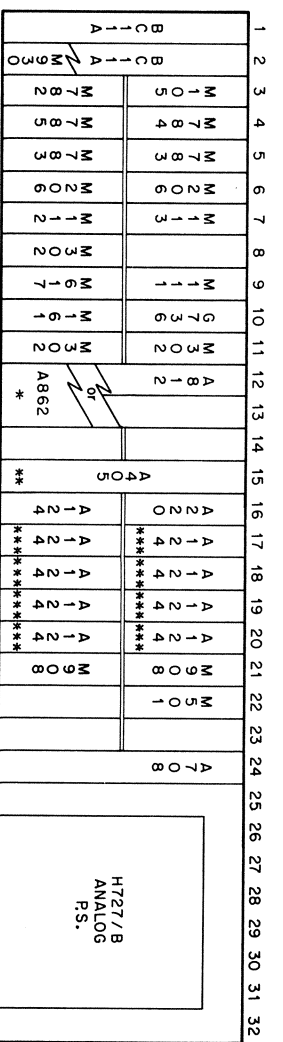


Figure 1-1 AD01-D Configuration

**1.6 REFERENCE DOCUMENTS**

The following documents are essential to understand the PDP-11 Computer System:

- PDP-11 Handbook*
- PDP-11 Unibus Interface Manual*
- PDP-11 Maintenance Manuals*

The following diagnostic program is required to test the performance of the AD01-D:

- AD01-D MainDEC-11-D6AB
- A-SP-AD01-D-12 Acceptance Procedure

## CHAPTER 2 INSTALLATION AND ADJUSTMENTS

### 2.1 INSTALLATION PLANNING

The AD01-D is a Type 1943 rack-mountable assembly, which can be installed in the Type H950 Equipment Cabinet. The Type 1943 Assembly has the following dimensions:

Width: 19 in.  
Depth: 12 in.  
Height: 5-1/4 in.

The associated H716 Logic Power Supply mounts on the rear door of the cabinet.

### 2.2 ENVIRONMENTAL REQUIREMENTS

The AD01-D and PDP-11 operate in identical environments; the environmental limitations are listed in Chapter 1.

### 2.3 CONFIGURATIONS

The basic AD01-D Subsystem consists of a 5-1/4 in. rack-mountable logic assembly and a H716 Logic Power Supply. A physical description of the AD01-D and associated options is presented in Chapter 1. The following paragraphs summarize the requirements for installing and configuring the AD01-D.

#### 2.3.1 Channel Expansion

Eight prewired insertion slots are provided in the logic shelf for the multiplex switch modules. The slots are A17 through A20 and B17 through B20 (see Figure 1-1). When expanding the channel capacity, modules must be added in the A level before the B level, progressing from slot 17 toward slot 20.

#### 2.3.2 Bipolar Option AH05

To accommodate A/D conversion of bipolar analog voltages, Bipolar Option AH05 must be installed in the AD01-D logic assembly. The option consists of a replacement Bipolar A/D Converter Module, A862.

The replacement A/D converter occupies two insertion slots while the A812 10-Bit A/D Converter occupies only one. The insertion slot is prewired to accept either A/D converter without wiring changes (see Figure 1-1).

#### 2.3.3 Sample and Hold Amplifier Option AH04

If skewless sampling of analog signals is desired, Sample and Hold Amplifier Option AH04 must be installed in the AD01-D logic assembly. The option consists of a single module designated the A405 Sample and Hold Module. A prewired insertion slot located at AB15 (see Figure 1-1) on the logic assembly is reserved for the module.

#### 2.3.4 Unibus Connections

Only one BC11-A Cable is required to connect the Unibus from the computer to the AD01-D. This cable must be inserted into slot AB01 on the logic assembly. If the AD01-D is the last peripheral device on the Unibus, Terminator Module M930 is inserted in slot AB02; otherwise, this slot is used to connect the Unibus to another peripheral device using another BC11-A Cable.

#### 2.3.5 Multiplexer Channel Connections

The input connections to the multiplexer switch modules are wired to two M908 Connector Modules located in slots AB21 of the logic assembly. The analog signals to be converted should be carried on user-supplied twisted pairs of wires (shielded if necessary). These twisted pairs should be soldered to the appropriate split lugs on the M908 Modules. The assigned channel numbers and the associated pin numbers on the M908 Modules are identified in Table 2-1.

#### 2.3.6 External Clock Connection

As with the multiplexer channel connections, external clock input connections to the timing circuits of the AD01-D are also wired to the M908 Connector Module located in slot A21. If an external clock is to be used in an AD01-D installation, the clock signal should be carried on user-supplied twisted pairs of wires (shielded if necessary). The twisted pair should be soldered to split lugs A1 and B1 or A2 and B1 on the M908 Connector Module in slot A21.

### 2.4 INSTALLATION PROCEDURE

The installation procedure for the AD01-D Analog Subsystem is as follows:

- | Step | Procedure   |
|------|---|
| 1    | Unpack the equipment from the shipping container(s) and inspect the unit(s) for damage. Damage claims should be made to the DEC district supervisor.<br><br><b>NOTE</b><br><b>DEC Field Service personnel should be available for consultation on potential problems.</b> |
| 2    | Remove the tape that secures the modules and cables in the AD01-D Assembly and verify that the modules and connectors are seated in the proper connector slots (refer to drawing D-MU-AD01-D-02).   |
| 3    | Mount the AD01-D Assembly in the assigned location (H950 Equipment Cabinet), using the appropriate hardware.  |

(continued on page 2-2)

Table 2-1  
Channel, Module, and Pin Number Cross-Reference List

Channel No.	A124 Multiplex Switch Module Slot	M908 Connector Module		
		Slot	Hot Pin	Gnd Pin
0			B2	C2
1			C1	D1
2	A17	A21	D2	E2
3			E1	F1
4			F2	H2
5			H1	J1
6	A18		J2	K2
7		A21	K1	L1
8			L2	M2
9			M1	N1
10	A19	A21	N2	P2
11			P1	R1
12			R2	S2
13			S1	T1
14	A20	A21	T2	U2
15			U1	V1
16			B2	C2
17			C1	D1
18	B17	B21	D2	E2
19			E1	F1
20			F2	H2
21			H1	J1
22	B18		J2	K2
23		B21	K1	L1
24			L2	M2
25			M1	N1
26	B19	B21	N2	P2
27			P1	R1
28			R2	S2
29			S1	T1
30	B20	B21	T2	U2
31			U1	V1
EXT IN EXT IN A		A21	A1	B1
			A2	B1

- Step**
- 4** Install the logic power supply and chassis subassembly in the assigned location (refer to drawing D-UA-H716-B-0 for AD01-DA or drawing D-UA-H716-D-0 for AD01-DB).
- 5** Connect the H716 Logic Power Supply Cable from the power supply to the left end panel of the AD01-D Subsystem where noted.
- 6** Determine where Unibus is terminated and connect BC11-A Cable to last device. If the AD01-D is the last device on the bus, install the Terminator Modules M930 in slot AB02 of the AD01-D.

**Step**

**Procedure**

- 7** Perform the acceptance checkout of the AD01-D logic and analog circuits using the MainDEC-11-D6AB Diagnostic Program and A-SP-AD01-D-12 Acceptance Procedure. Adjustment should not be necessary because all potentiometers are sealed at the factory after adjustment.
- 8** If, at any time, the AD01-D is not within its stated specifications (accuracy), perform the adjustment procedure in Paragraph 2.6. When this adjustment is complete, perform the acceptance tests again.

**2.5 OPTION INSTALLATION**

The AD01-D options necessitate some changes in the back panel wiring. All information regarding the wiring for each option configuration is given in Figure 2-1. Add and/or delete wires according to this diagram when installing options.

**2.6 ADJUSTMENT PROCEDURE**

The adjustment procedure for the AD01-D depends on the particular option configuration. If a given option is not included in the AD01-D, disregard the corresponding adjustment procedure. To achieve accurate calibrations, perform the adjustments in the following sequence.

1. Power Supplies
2. Timing
3. A/D Converter (A812 or A862)
4. Sample and Hold A405
5. Switched-Gain Amplifier A220
6. Multiplexer Setup
7. External Sync

**2.6.1 Power Supply Adjustments**

Table 2-2 summarizes the necessary information for adjusting the power supplies in the AD01-D.

Table 2-2  
Power Supply Adjustments

Supply	Voltage*	Pin	Adjustment Location
H716	+5V ± 0.25V	A03A2 A03C2 (GND)	POWER MATE – Top Right (Blue Case)
H727	+15V ± 0.1V	A24V2	DELTRON – Bottom Right (Black Case)
	-20V ± 0.1V	A24N2	POWER MATE – Top Left (Blue Case)
		A24T2 (GND)	DELTRON – Bottom Left (Black Case)

\*Voltage measurement can be made with EDC null meter and DEC 10:1 Divider (refer to Table 5-1).

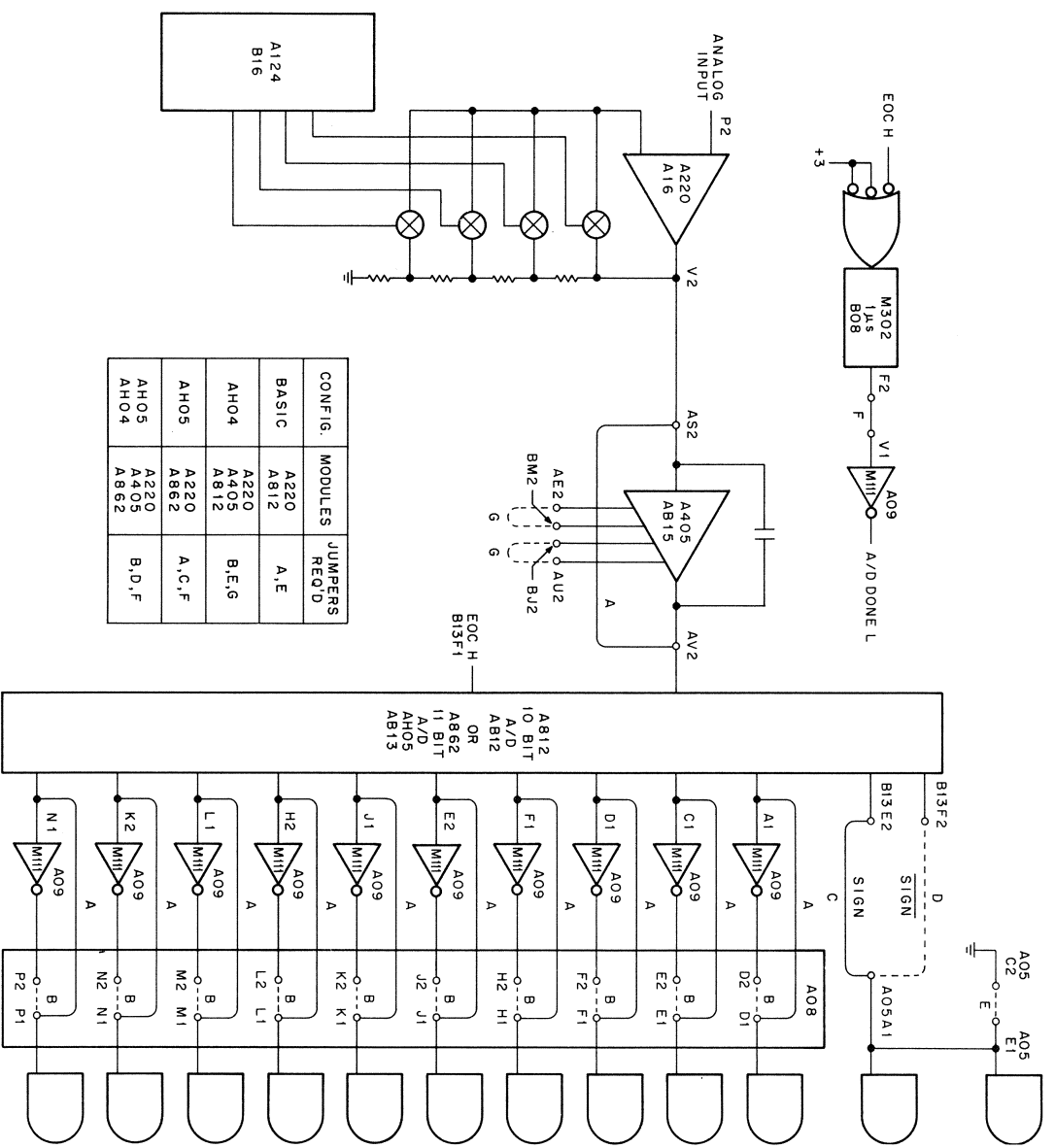


Figure 2-1 Option Configuration Diagram

Jumper	From	To
A	A09A1	A08D1
	A09C1	A08E1
	A09D1	A08F1
	A09F1	A08H1
	A09E2	A08J1
	A09J1	A08K1
	A09H2	A08L1
	A09L1	A08M1
	A09K2	A08N1
	A09N1	A08P1
B	A08D2	A08D1
	A08E2	A08E1
	A08F2	A08F1
	A08H2	A08H1
	A08J2	A08J1
	A08K2	A08K1
	A08L2	A08L1
	A08M2	A08M1
	A08N2	A08N1
	A08P2	A08P1
C	B13E2	A05A1
D	B13F2	A05A1
E	A05C2	A05E1
F	B08F2	A09V1
G	A15E2	B15M2
	B15J2	A15U2

Table 2-2 (Cont)  
Power Supply Adjustments

Supply	Voltage*	Pin	Adjustment Location
A708	-15V ± 0.1V	A24S2 A24T2 (GND)	No Adjustment

\*Voltage measurement can be made with EDC null meter and DEC 10:1 Divider (refer to Table 5-1).

### 2.6.2 Timing Adjustment

The timing of the AD01-D can be adjusted while running the WAS-IS TEST (SA 270g) of the diagnostics with inhibit printout option. The required timing adjustments are summarized in Table 2-3.

### 2.6.3 A/D Converter

2.6.3.1 A812 – The following adjustment should be performed while running the Display Conversion Loop (SA 220g) of the diagnostic program.

Table 2-3  
Timing Adjustments

Module	Slot	Pin	Time
M302	A11	F2	5 $\mu$ s
M302	A11	T2	0.5 $\mu$ s
M302	B11	F2	0.5 $\mu$ s
M302	B11	T2	0.1 $\mu$ s
M302	B08	F2	1 $\mu$ s/AH05 only
M302*	B08	T2	2.5 $\mu$ s 0.1 $\mu$ s with AH05

\*External sync signal is required to set this single-shot, because it derives output signal from Ext Sync input.

**NOTE**  
The procedure should be performed with the A220 and A405 Modules removed from their insertion slots.

- Procedure**
- 1 Extend A812 Module using two W982 Extender Modules.
  - 2 Set EDC to 5 mV and connect to B12V2.
  - 3 Adjust comparator sensitivity potentiometer (see Figure 2-2) for 000 000g to 000 001 g on console DATA indicators. (Adjust for 001 777g to 001 776g if AH04 is installed.)
  - 4 Set EDC to +9.9853V.
  - 5 Adjust reference potentiometer for 001 777g to 001 776g on console DATA indicators. (Adjust for 000 001g to 000 000g if AH04 is installed.)

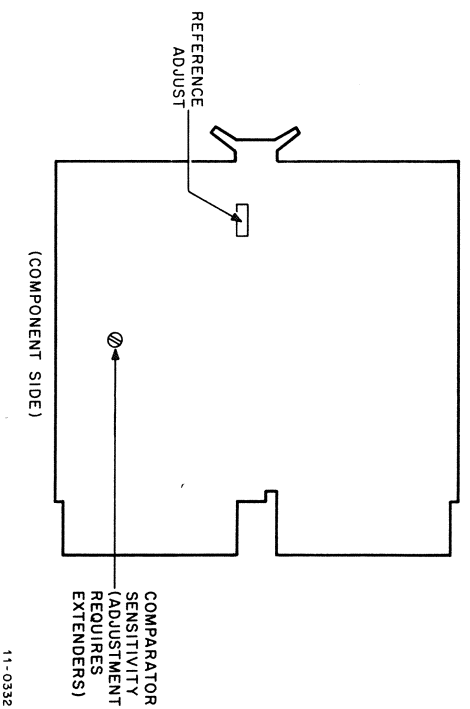


Figure 2-2 A812 A/D Converter

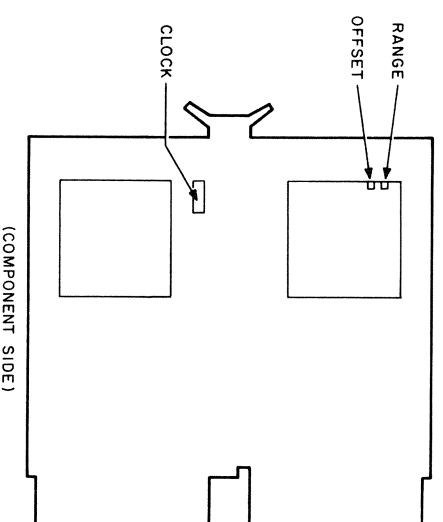


Figure 2-3 A862 A/D Converter

2.6.3.2 A862 (AH05 Option) – The following adjustment procedure uses the WAS-IS TEST and the Display Conversion Loop of the diagnostic program. Adjust the A862 A/D Converter as follows:

**NOTE**  
The procedure should be performed with the A220 and A405 Modules removed from their insertion slots.

- Procedure**
- 1 Start the WAS-IS TEST (SA 270g) with inhibit printout bit 13 = 1.
  - 2 Connect scope to B13F1 and adjust clock potentiometer (conversion time) to obtain a 24- $\mu$ s positive pulse (see Figure 2-3).
  - 3 Stop program and restart at Display Conversion Loop (SA 220g).
  - 4 Connect EDC to A13J2 and A13F2 (GND). Set EDC to +5 mV  $\pm$  2 mV.
  - 5 Adjust offset potentiometer for 000 000g to 000 001g on console DATA indicators. (Adjust for 001 777g to 001 776g if AH04 is installed.)

#### 2.6.4 Sample and Hold A405 (AH04 Option)

The adjustment procedure of the A405 Module depends on the AD01-D option configuration. Two procedures are outlined below. One procedure applies to systems that have only the AH04 Option (Sample and Hold); the other procedure applies to systems that have both the AH04 and AH05 (Bipolar) Options.

##### 2.6.4.1 AH04 Option Only – Adjust the A405 Module as follows:

**NOTE**  
The procedure should be performed with the A220 Module removed from its insertion slot.

- Procedure**
- 1 Ensure that all proper jumpers (except those marked G) are installed (see Figure 2-1).
  - 2 Ensure that split lugs A and B on the A405 Module are connected (see Figure 2-4).
  - 3 Start Display Conversion Loop (SA 220g) of the diagnostic program.
  - 4 Connect EDC to A15S2 and A15F2 (GND). Set EDC to -5 mV.
- (continued on Page 2-5)

- | Step | Procedure   |
|------|---|
| 5    | Adjust bias potentiometer (see Figure 2-4) on A405 Module for 001 776g to 001 777g on console DATA indicators.            |
| 6    | Stop program and turn off computer power.   |
| 7    | Add jumper wire G to back panel wiring.   |
| 8    | Turn on computer power and set EDC to 9.9853V.  |
| 9    | Restart Display Conversion Loop (SA 220g).  |
| 10   | Adjust offset coarse potentiometer on A405 for 001 776g to 001 777g (or as close as possible) on console DATA indicators. |
| 11   | Adjust offset fine potentiometer on A405 for 001 776g to 001 777g on console DATA indicators.                             |

2.6.4.2 AH04 with AH05 Option Only – Adjust the A405 Module as follows:

- | Step | Procedure  |
|------|--|
| 1    | Ensure that all proper jumpers are installed (see Figure 2-1).   |
| 2    | Ensure that split lugs A and B on the A405 Module are connected (see Figure 2-4).                              |
| 3    | Connect EDC to A15S2 and A15F2 (GND). Set EDC to +5 mV.  |
| 4    | Start the Display Conversion Loop (SA 220g) of the diagnostic program.   |
| 5    | Adjust bias potentiometer (see Figure 2-4) on A405 Module for 000 001g to 000 000g on console DATA indicators. |

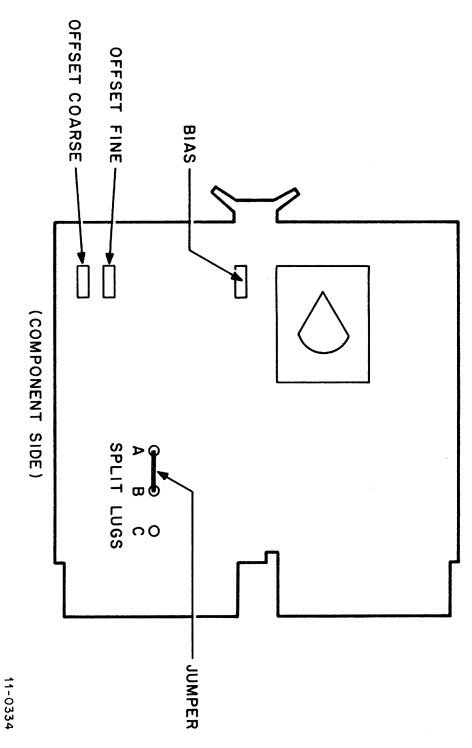


Figure 2-4 A405 Sample and Hold

- | Step | Procedure  |
|------|--|
| 1    | Ensure that Module A220 is installed in slot A16 and that Module A124 is installed in slot B16.                        |
| 2    | Connect EDC to A16P2 and A16F2 (GND). Set EDC to +600 $\mu$ V.   |
| 3    | Start the Display Conversion Loop (SA 220g) of the diagnostic program with a gain of 8 (SW6 and SW7 = 1).              |
| 4    | Adjust input offset potentiometer (Figure 2-5) on A220 Module for 000 001g to 000 000g on the console DATA indicators. |
| 5    | Set EDC to 0.625V and verify that DATA indicators display the following readouts with specified gain settings:         |

Data ( $\pm 1$ bit)	SW6	SW7	Gain
000100g	0	0	1
000200g	1	0	2
000400g	0	1	4
001000g	1	1	8

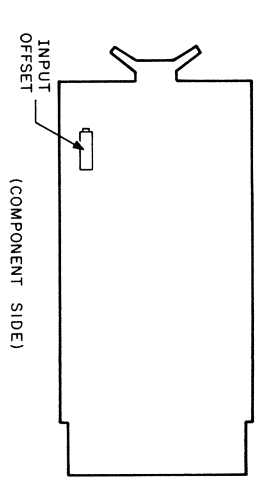


Figure 2-5 A220 Switched-Gain Amplifier

2.6.6 Multiplexer Setup

Set up multiplexer as follows:

- Verify that A124 Multiplexer Switch Modules are installed in the following slots:

CH00	CH03	Slot A17
CH04	CH07	Slot A18
CH08	CH11	Slot A19
CH12	CH15	Slot A20
CH16	CH19	Slot B17
CH20	CH23	Slot B18
CH24	CH27	Slot B19
CH28	CH31	Slot B20

2.6.5 Switched-Gain Amplifier A220

Adjust the A220 Switched-Gain Amplifier as follows:

b. If the G735 Test Card Module is available, perform the following procedure:

**NOTE**

The G735 Module produces eight distinct voltage levels when fed from the EDC. The first level, fed to channels 0, 10g, 20g, 30g is equal to the input level from the EDC. Each successive level is half the previous one and appears on the next channel, except that the last level is ground. Jumper X should be connected on the module for testing the AD01-D.

**Step**

**Procedure**

- 1 Insert the G735 Module in slot AB21.
- 2 Connect EDC to the tabs at the handle end, and set EDC to +10V.
- 3 Set the SR on the console to 270g and press start.
- 4 Load the initial channel of the multiplexer to be tested in DATA bits 00g through 04g, then press CONT. The program will halt.
- 5 Load the number of channels to be tested in DATA bits 00g through 04g, then press CONT. The program will again halt.
- 6 Set the SR to all 0s and press CONT. The program should run. After one complete pass, the Teletype bell will sound.
- 7 Set bit 06 of the SR to 1. The following table is printed:

Channel	Initial Value	Final Value
CH00	1777	1777
CH01	1000	1000
CH02	0400	0400
CH03	0200	0200
CH04	0100	0100
CH05	0040	0040
CH06	0020	0020
CH07	0000	0000
CH37	0000	0000

**NOTE**

If differences between initial values and final values of more than one count occur, check the multiplexer channel in question. It may be noisy and should be replaced.

c. If the G735 Module is unavailable, perform the following procedure:

**Step**

**Procedure**

- 1 With the program running the Display Conversion Loop (SA 220g) check each multiplexer channel by moving the EDC to the proper input pins in slot AB21.
- 2 Verify the correct results on the DATA indicators of the computer.

**2.6.7 External Sync**

**NOTE**

Before connecting the external sync to the AD01-D, associated jumpers must be removed. These jumpers are:

- EXT IN - A22R2 to A22C2
- EXT IN A - B08B2 to B08N2

After connecting the external sync (refer to Table 2-1), the EXTTEST and EXFAST Diagnostic Subroutines can be run to verify proper operation of the AD01-D under control of external sync.

P2



# CHAPTER 3 OPERATION AND PROGRAMMING

## 3.1 INTRODUCTION

Operation of the AD01-D is controlled entirely by the PDP-11 Computer program. All I/O and control programming is done by issuing the normal memory reference instructions. The nature of the program depends on the system application and the familiarity of the programmer with the particular application and the PDP-11 instruction set.

## 3.2 ADDRESS FORMAT

The AD01-D is assigned two bus addresses:

- 776770g for the control and status register (CSR)
- 776772g for the data buffer register (DBR).

All information flows between the processor and the AD01-D through these registers. The address format is shown in Figure 3-1.

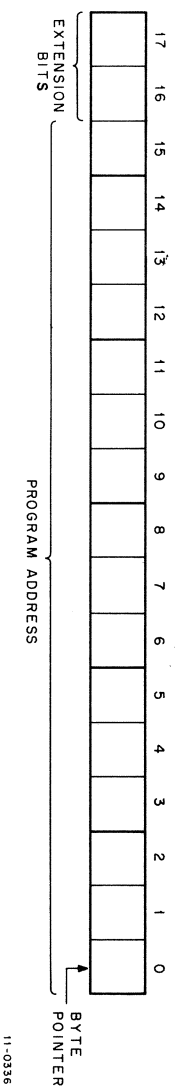


Figure 3-1 Address Format

## 3.3 CSR FORMAT

The operating condition of the AD01-D is established by transferring a 16-bit control word or an 8-bit control byte from the processor to the CSR. The status of the AD01-D can be determined by transferring the contents of the CSR to the processor and testing the status bits. The CSR format and bit assignments are illustrated in Figure 3-2. The purpose and description of each bit in the CSR is presented in Table 3-1.

## 3.4 DBR FORMAT

On command, the AD01-D digitizes the unipolar analog voltage of the selected channel into a 10-bit binary code, using the successive-approximation technique. The bipolar option permits conversion of bipolar analog voltage

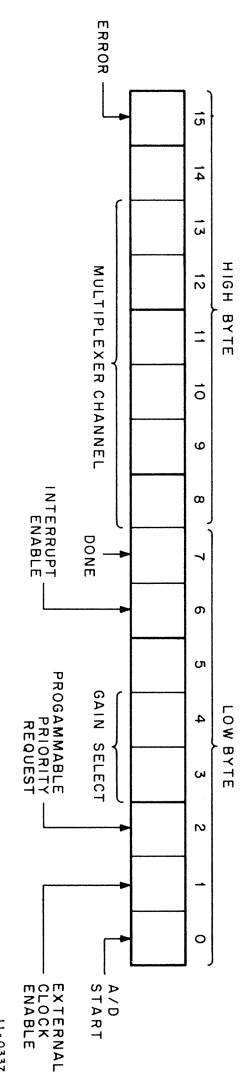


Figure 3-2 CSR Format

Table 3-1  
CSR Bits

Bit	Description
15	ERROR(ER) – indicates device has been issued a START command during the time between Start Conversion and Read ADDB. Cleared by INIT. Set by CONVERT command if error condition is present. Cleared under program control when new Gain and MUX Channel data is loaded.
14	Unused.
13-08	MULTIPLEXER CHANNEL (MC) – Selects 1 of 64 multiplexer channels. Loaded under program control. Cleared by INIT.
07	DONE (DN) – Indicates state of converter. Reset by INIT. Set by A/D Done. Reset by reading ADDB. Read only.

NOTE

The main purpose of the Error Bit is to indicate timing problems that could occur if an external clock is starting conversions at certain intervals and conversions are being made under program control between the external clock pulses.

(Continued on page 3-2)

Table 3-1 (Cont)  
CSR Bits

Bits	Description
06	INTERRUPT ENABLE (IE) – Allows interrupts on A/D Done or Error. Set under program control. Cleared by INIT.
05-03	Unused.
4-3	GAIN SELECT (GS) – Selects gain for programmable gain amplifier. Loaded under program control. Cleared by INIT.
02	PROGRAMMABLE PRIORITY REQUEST SELECT (PS) – Allows selection of bus request line under program control. When bit 02 = 0, bus requests are made at level 7. When bit 02 = 1, bus requests are made at a level determined by bus grant jumper socket on G736 Module. Set under program control. Cleared by INIT.
01	EXTERNAL CLOCK ENABLE (EE) – Allows converter to be controlled by external input. Loaded under program control. Cleared by INIT.
00	A/D START – Start conversion. Loaded under program control. Cleared by INIT. Cleared by A/D Done (Write Only).

into an 11-bit two's complement code with an extended sign format. The digitized analog voltage is stored in the DBR when the conversion is done. A single move instruction can then be programmed to gate the contents of the DBR onto the Unibus. The data format for unipolar and bipolar operation is illustrated in Figure 3-3. Table 3-2 relates the octal representation of the data word to the input analog voltage to highlight differences between unipolar and bipolar operation.

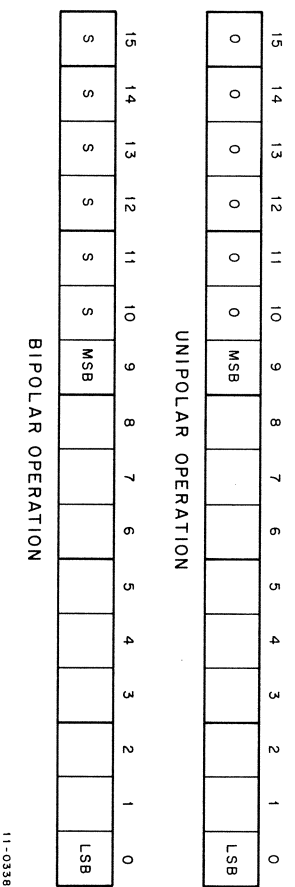


Figure 3-3 DBR Format

### 3.5 INTERRUPT STRUCTURE

The AD01-D utilizes the interrupt structure of the PDP-11 System to inform the processor that the A/D conversion is done or to indicate that an error condition exists. The interrupt logic in the AD01-D can be enabled or disabled under program control. Bit 06 of the CSR is assigned to enable the interrupt logic. If the interrupt logic is enabled, one of two priority levels can be selected by the program. Bit 02 is assigned to select the priority level. Priority level 7 is enabled when bit 02 is reset, and the priority level established by the bus grant jumper socket on the G736 Module is selected when bit 02 is set. Bus grant jumpers are available for priority levels 4, 5, and 6. When the AD01-D is shipped from the factory, jumper plug S408778 for priority level 5 is installed in the G736 Module.

Table 3-2  
Output Notations

Analog Input Voltage*	Unipolar	Bipolar
-10.0	---	176000g
-5.0	---	177000g
0.0	000000g	000000g
+5.0	001000g	001000g
+9.9902	001777g	001777g

\*For 10V full-scale input range. Divide by appropriate gain factor for the input ranges.

### 3.6 EXTERNAL CLOCK CONTROL

The AD01-D contains two inputs for external control of the conversion process: EXT IN and EXT IN A.

#### 3.6.1 EXT IN

The EXT IN signal is brought into the converter on the M908 Analog Input Module in slot A21, pins A1 and B1 (B1 is EXT common). Input signal conditioning is provided by the M501 Schmitt Trigger circuit. The upper and lower thresholds are set at 1.7V and 1.1V. Input signal swing is limited to  $\pm 20V$ . Input standards are as follows:

Signal swing:  $\pm 20V$   
Loading: 2.7 K $\Omega$  to +5V or 1.8 mA at GND

**NOTE**  
Before connecting EXT IN to the AD01-D, the jumper wire from A22R2 to A22C2 should be removed.

#### 3.6.2 EXT IN A

The EXT IN A signal is brought into the converter on the M908 Analog Input Module in slot A21, pins A2 and B1 (B1 is EXT common). This input is T<sup>2</sup>L compatible. Triggering is accomplished by a level change from high to low or a pulse to low, the duration of which is  $\geq 50$  ns. The fall time of the input trigger should be  $< 400$  ns.

Input standards are as follows:

Signal swing: T<sup>2</sup>L logic levels  
Timing: Level – high to low fall time  $< 400$  ns  
Pulse – high to low, duration  $\geq 50$  ns  
Loading: 2-1/2 unit loads

**NOTE**  
Before connecting EXT IN A to the AD01-D, the jumper wire from B08B2 to B08N2 should be removed.

### 3.6.3 External Clock Timing Considerations

Figure 3-4 is a timing diagram that shows the operation of the AD01-D under external clock control. In the external mode, time is not allowed for the switched gain amplifier to settle, thereby initiating a conversion at the time the external signal is applied. Thus, the user must allow at least 5  $\mu$ s for settling of the input amplifier, if necessary.

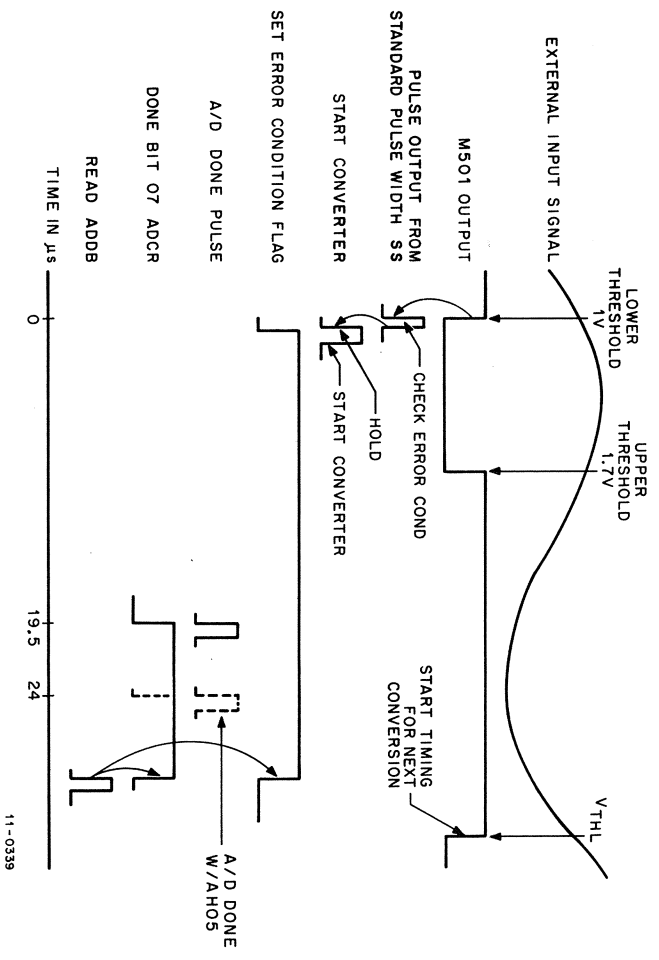


Figure 3-4 External Clock Timing

## CHAPTER 4 PRINCIPLES OF OPERATION

### 4.1 INTRODUCTION

The AD01-D (without options) employs a single high-speed analog-to-digital converter, a gain-selectable amplifier, and an input multiplexer to provide fast multichannel scanning, scaling, and conversion capability. Interface logic compatible with the PDP-11 Computer System is also included in the AD01-D to facilitate direct computer control of the subsystem. This subsystem is intended for use in applications where sampling and processing of analog data from sensors or other external sources is desired. Block and simplified diagrams of the AD01-D are contained in this chapter; detailed block and circuit schematics are included in Chapter 6.

### 4.2 BLOCK DIAGRAM ANALYSIS

Figure 4-1 is a detailed block diagram of the AD01-D, showing the multiplexer, the gain-selectable amplifier, A/D converter, interface and control logic, and available options. The AD01-D, connected to the Unibus along with other PDP-11 devices, remains dormant unless it is addressed. Two device addresses have been assigned to the AD01-D: One address (766770g) is used to gain access to the control and status register (CSR); the other address (766772g) is used to gain access to the data buffer register (DBR). Address Selector M105 recognizes these addresses (A 17:01) and generates clock and gating signals to move data into and out of the AD01-D registers. The mode control bits (C 1:0) and the byte control bit (A 00) determine which of the following clock or gating signals is to be generated by the M105 Address Selector:

- CLOCK ADCSR WORD
- CLOCK ADCSR LOW BYTE
- CLOCK ADCSR HIGH BYTE
- GATE ADCSR (word)
- GATE ADDR (word)

An A/D conversion can be initiated in three different ways:

- Setting the START bit (ST bit 00) of the CSR by incrementing the CSR word or low byte. This action initiates a conversion of the channel and gain setting that has been established by a previous instruction.
- Loading a new multiplex channel address into the CSR with a move high byte or word instruction.

#### NOTE

When the external clock is enabled (EE bit 01 is set), conversions are not started by loading a new channel address or gain setting. The START bit must be set to start the conversion under program control. This feature makes it possible to change gain and multiplex address between external clock pulses.

- By an external clock. When the external clock is enabled (EE bit 01 is set), a move word instruction cannot be used to enable the external clock and select channel and gain at the same time. This would set the error bit (ER 15).

When a conversion is initiated by setting the START bit, a timing train is generated by the timing generator (see Figure 4-1). The sequence of the timing train and the timing intervals are:

- Check error 0.5  $\mu$ s
- Check read 0.6  $\mu$ s
- Hold (CONV H) 5.5  $\mu$ s
- Convert (CONV L) 6.0  $\mu$ s

The multiplex channel (MC) and GAIN SELECT (GS) bits of the CSR are decoded by the gain and channel decoder to select the programmed channel and gain. The check error pulse produced by the timing generator initializes (clears) the A812 A/D Converter. The Check Error pulse also causes the ERROR bit (ER bit 15) in the CSR to be set if the data of the previous conversion has not been gated out of the DBR. Setting the ERROR bit initiates an interrupt and a trap vector if the interrupt logic is enabled. The second pulse in the timing train, the hold command, causes the A405 Sample and Hold Module to acquire and hold the input analog voltage.

Finally, the Convert pulse is produced to start the A/D converter and set the RD flip-flop. The converter produces 10 output bits, which correspond to the amplitude of the input voltage. The successive (serial) approximation technique is used by the converter. When 10 output bits have been determined, the converter produces an A/D Done pulse to release the A405 Sample and Hold Module so that it will start tracking again and to set the DONE bit (DN bit 07) of the CSR. Setting the DONE bit initiates an interrupt and a trap vector if the interrupt logic is enabled. When a conversion is done, the converter, which serves as the DBR, retains the data word until a new conversion is started. However, if the data is not read before a new conversion is started, an error results. This action is accomplished by the RD flip-flop. Data is read out of the AD01-D simply by programming a move DBR word instruction. This instruction is recognized by the M105 Address Selector, which then generates an ADDR gate. This gate enables the DBR output drivers to transfer the data onto the Unibus. The gate also resets the RD flip-flop to prevent the error from occurring on the next conversion. Normally, the move DBR word instruction is issued by the processor in response to an interrupt signal from the AD01-D.

As noted before, an interrupt is generated by the M782 Interrupt Control (if enabled) when an error occurs and when the conversion is done. The M782 Module also issues a trap vector (address 000130g) to inform the processor that the AD01-D issued the interrupt. The processor responds to the interrupt by testing the DONE and ERROR bits of the CSR.

Subject to the result of the test, the program jumps to the move DBR word instruction or an error routine.

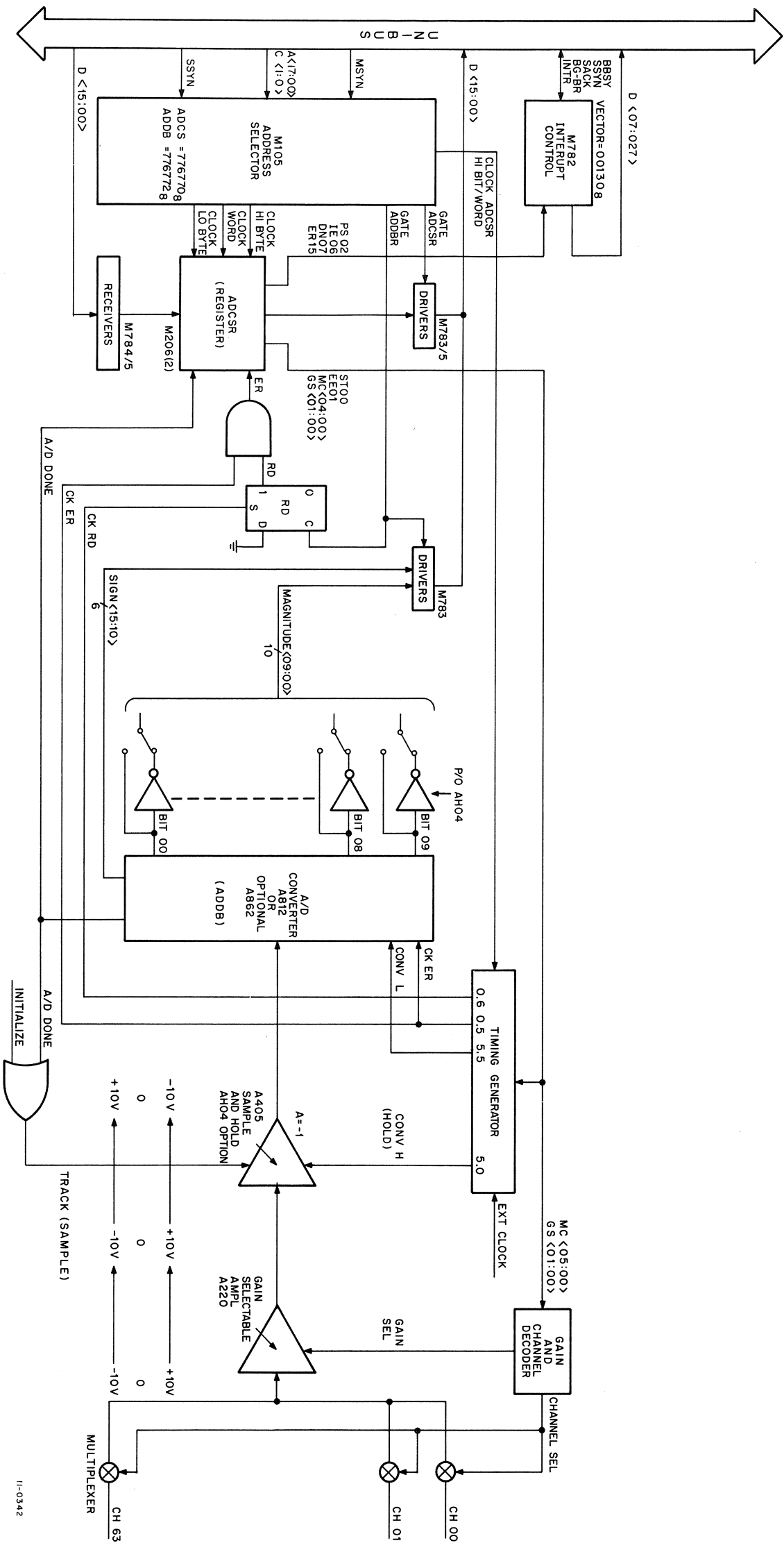


Figure 4-1 AD01-D Block Diagram

11-0342

### 4.3 DETAILED CIRCUIT ANALYSIS

The two AD01-D options offer four unique configurations; the following description is organized to reflect these configurations. The order of presentation is as follows:

1. Multiplexer
2. Scaling Amplifier
3. A/D Conversion Configurations
4. Timing
5. Bus Interface

The four configurations accommodate unipolar or bipolar operation with a wide or narrow sampling aperture.

#### 4.3.1 Multiplexer

The multiplexer (drawing D-BS-AD01-D-03) includes at least 4 channels and is expanded to 32 channels in 4-channel increments simply by adding additional A124 Multiplex Modules. The desired channel is selected by a binary decoder that decodes the 6-bit multiplex channel (MC) address received by the CSR. The three most significant bits of the address are decoded by the M161 Octal Decoder to select an A124 Multiplex Module and the two least significant bits of the address are decoded by logic in the multiplexer module itself to select one channel.

#### 4.3.2 Scaling Amplifier

Scaling Amplifier A220 (drawing D-BS-AD01-D-05) provides the AD01-D with an extended dynamic range, the equivalent of up to 14 bits. The amplifier has program-selectable gains of X1, X2, X4, and X8 to achieve this range. The desired gain is selected by a binary decoder (in the associated A124 Module) that decodes the 2-bit gain code received by the CSR.

#### 4.3.3 A/D Converter

The A/D conversion circuits may be configured four different ways using the AH05 Bipolar Option and the AH04 Sample and Hold Option (see Figure 2-1). The sample and hold option reduces the aperture of the AD01-D for skewless sampling applications.

**4.3.3.1 Unipolar with Wide Aperture** — This basic AD01-D configuration is capable of accurately converting unipolar analog voltages. The sampling aperture of this configuration is 17  $\mu$ s. The configuration consists of the A812 A/D Converter Module and a specific jumper combination as described in Chapter 2. The operation of the A812 Converter is similar to the A811 A/D Converter described in the *Digital Logic Handbook*.

**4.3.3.2 Unipolar with Narrow Aperture** — A sampling aperture of 100 ns is obtained by installing AH04 Sample and Hold Option (see Figure 2-1). This configuration may be useful in analyzing frequency characteristics of unipolar signals or in signal averaging. Installation and calibration procedures are given in Chapter 2. The option consists of a single A405 Module, which is similar to the A404 Module described in the *Digital Logic Handbook*.

**4.3.3.3 Bipolar with Wide Aperture** — Bipolar Option AH05 provides the means for converting bipolar analog voltages. This option consists of a replacement A/D Converter Module (A862). The sampling aperture of this configuration is 24  $\mu$ s. The converter has a 12-bit conversion capability, but only 11 bits, forming a 10-bit magnitude and 1-bit polarity, are used. The converter uses the successive approximation method in converting analog voltages. A detailed description of the A862 Converter is presented in the *Control Handbook*.

**4.3.3.4 Bipolar with Narrow Aperture** — The Sample and Hold Option (AH04) accommodates skewless sampling of bipolar analog voltages. The sample and hold option reduces the sampling aperture to 100 ns. Installation and calibration procedures are given in Chapter 2.

#### 4.3.4 Timing

All timing pulses are produced by the timing generator circuits (see Figure 4-2) in response to the programmed control word or the external clock. The timing pulses that are produced by the timing generator circuits include the CK ER, CK RD, CONV H, and CONV L pulses. The function of each of these pulses in the A/D converter is described in Paragraph 4.2.

#### 4.3.5 Bus Interface

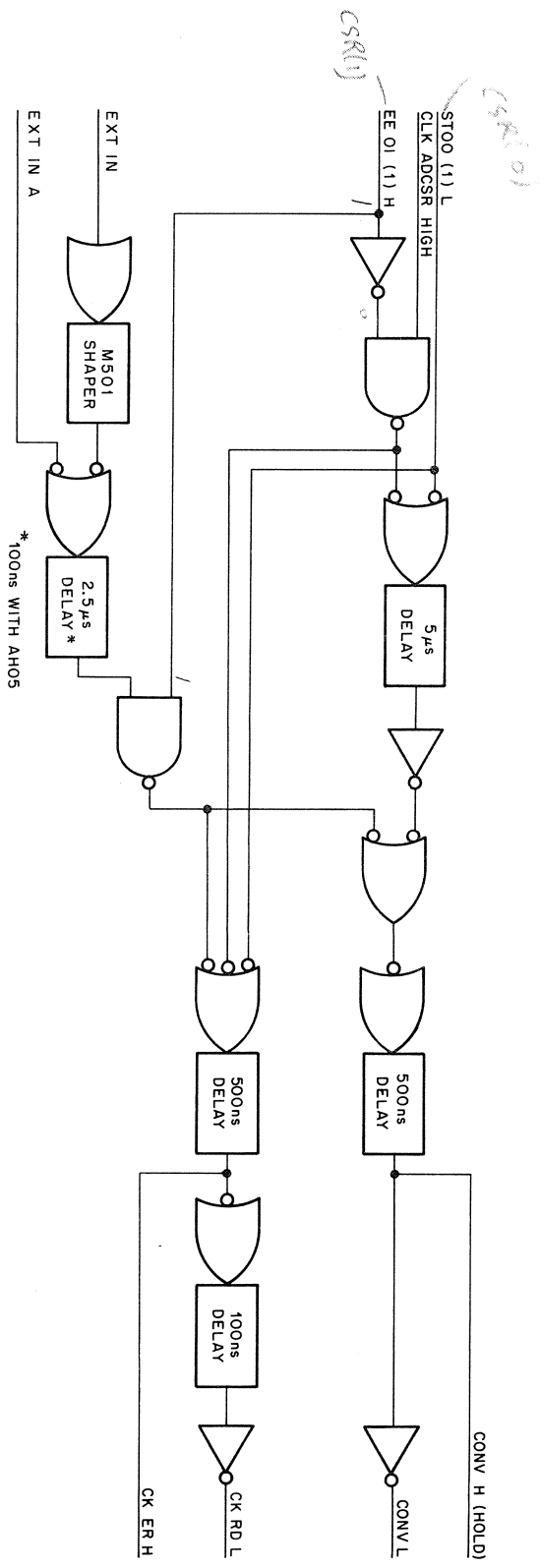
The M105 Address Selector provides gating signals for up to four device registers. Only two device registers are used in the AD01-D; thus, only two of the select signals from the address selector are implemented. The address selector decodes the 18-bit bus address on A <17:00> to produce the gating signals for the device registers.

To deposit a whole control word into the CSR, both CLOCK ADSCR HIGH BYTE and CLOCK ADSCR LOW BYTE signals are generated at the same time. For more detailed description of the M105 Address Selector Module, refer to the *Digital Logic Handbook* or *PDP-11 Handbook*. The 16-bit CSR and DBR data words are carried on D <15:00> and are gated into and out of the AD01-D registers under control of the gating signals produced by the address selector output logic in response to the programmed instruction. A program-controlled conversion is started simply by depositing a control word or high byte into the CSR, or by incrementing the low byte which sets the START bit (ST00) of the CSR. If the external clock bit (EEO1) is reset, all three specified operations activate the timing generator to initiate the conversion. When conversion is complete, the START bit (ST00) is reset and the DONE bit (DN07) is set by the A/D DONE signal. Before a new conversion can be initiated, the data must be read out of the DBR; otherwise, the CSR ERROR bit (ER15) will be set. The ERROR bit is set by the check error (CK RD) signal if the RD flip-flop is not reset by reading the data out of the DBR. The RD flip-flop is set by the CONV signal when the conversion is started, and the CK RD signal is produced each time a conversion is started. Therefore, if another conversion is started before the DBR is read, both RD and CK RD will be high, causing the ERROR bit of the CSR to be set.

The same principles discussed above apply to conversions initiated by an external clock. To effect conversions under external clock control, the external clock enable bit (EEO1) of the CSR must be set.

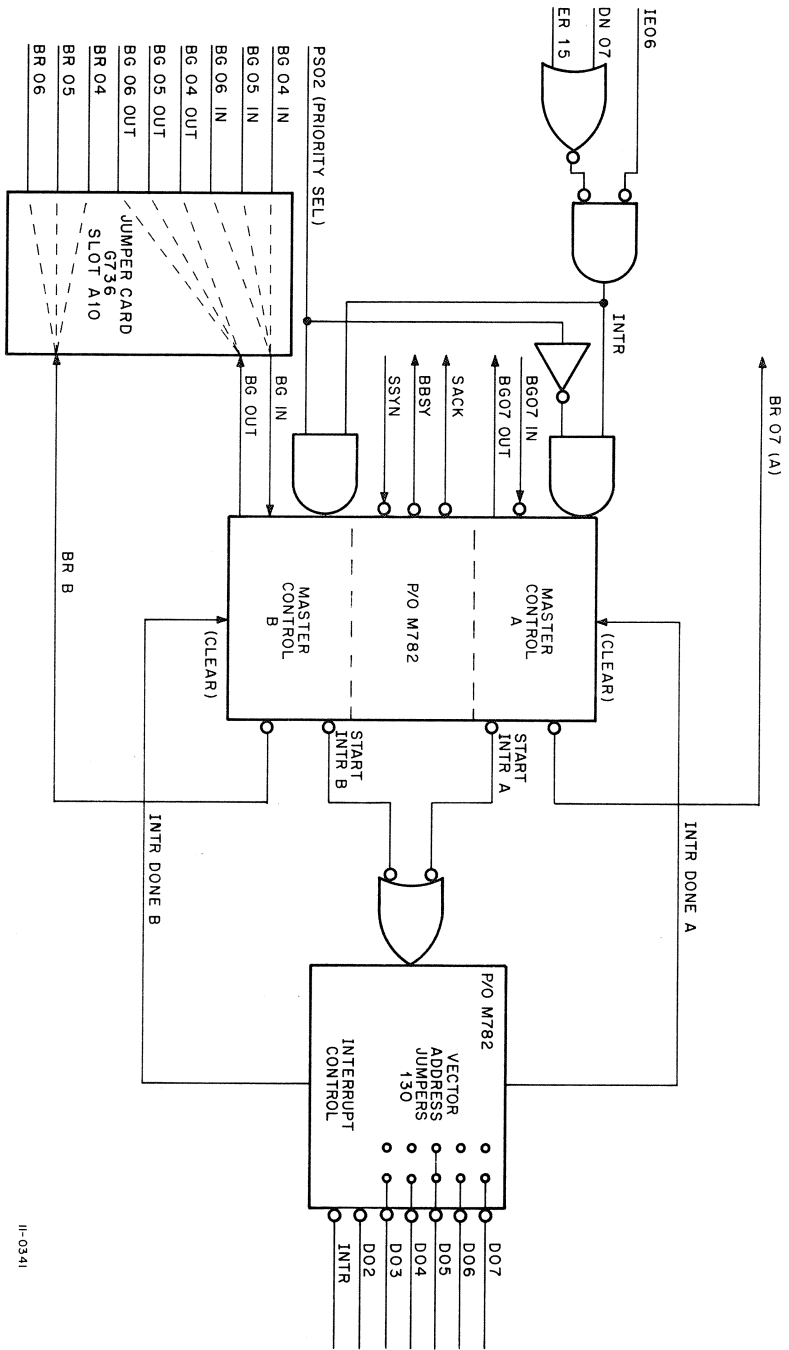
Figure 4-3 illustrates the interrupt logic of the AD01-D. Most of the interrupt logic is contained in the M782 Interrupt Control Module. The interrupt logic allows the AD01-D to request and gain access to the Unibus on a priority basis. There are only two conditions for which the AD01-D may require use of the Unibus: in the event of an error (CSR bit ER15 is set), or when one conversion is done (CSR bit DN07 is set). Before the interrupt logic can request use of the Unibus, the CSR interrupt enable bit (bit IE06) must be set to enable the interrupt logic. Two levels of priority are available to the AD01-D: level 7 and level 4, 5, or 6 as established by Jumper Module G736. Either level can be selected under program control simply by changing the state of the priority select bit (CSR bit PS02). With bit PS02 reset, master control A of the M782 Module is enabled to issue a bus request of the highest priority (BR7). Master control B is enabled to issue a lower priority request (BR4, 5, or 6) when the bit PS02 is set. Setting the DONE or ERROR bits of the CSR activate the enabled master control to issue a bus request. Priority permitting, the processor relinquishes the bus to the AD01-D by issuing a bus grant (BG) signal.

In response to the bus grant signal, the interrupt control of the M782 issues an interrupt command. The vector address of the words in memory contain the address and status of the appropriate device service routine.



11-0340

Figure 4-2 Timing Generator Circuit



11-0341

Figure 4-3 AD01-D Interrupt Logic

## CHAPTER 5 MAINTENANCE

When operated under normal conditions, the AD01-D Analog Subsystem requires little maintenance (periodic performance of diagnostic programs, cleaning, and inspection). If preventive maintenance is required, follow the procedures outlined in this chapter to return the equipment to maximum operating efficiency.

If a module requires replacement, refer to the spare parts list outlined in this chapter. Do not replace a faulty component without first determining the cause of the failure. Refer to the block schematics associated with each module to determine the location of the components in question.

When conducting a maintenance analysis of the system, make certain that the input conditions required to produce a specified output are met; otherwise, erroneous output readings will result, indicating a nonexistent fault.

### 5.1 AD01-D MAINDEC-11-D6AB DIAGNOSTIC PROGRAM

The AD01-D diagnostic program is used to test the unique hardware features of the system that cannot be tested with existing MainDEC programs. The program is designed to facilitate troubleshooting by selectively exercising circuits in the AD01-D. Instructions and procedures for loading, operating, and interpreting the results of diagnostic tests are written in clear, concise language for beginning maintenance personnel.

The program tests are divided into the following nine separate tests.

- a. **Normal Instruction Tests** – This test consists of 42 subtests that completely checkout the AD01-D logic. Each subtest may be looped 2048 times for reliability.
- b. **Conversion Averaging** – This is done with 2 subroutines, CONAV and CONVRT, which together average 128 conversions. SW10=1 inhibits calling these subroutines.
- c. **DISPLAY (Display Conversion)** – This routine reads the switch register for channel and gain, performs a corresponding conversion, and displays the result in the data indicators. Thus, calibration can be readily performed, and all channels and gain can be checked directly.
- d. **EXTEST (External Conversion Test)** – This routine counts external conversions and prints out after every tenth conversion. It also allows checking for various error cases involving external conversions.
- e. **EXFAST (Fast External Conversion Test)** – This routine enables external conversions and checks the error bit after each conversion. An error will occur when the external conversion signal occurs faster than the maximum possible throughput.
- f. **FLY (Conversion Print Loop)** – This routine continuously prints the results of conversions at the gain and channel set in the switches. The average of 128 conversions is printed unless SW10 is set. If SW10 is set, the results of single conversions are printed.

- g. **TESTX (Single Test Loop)** – This routine allows a single subtest to be run continuously for scope loop purposes. While a scope loop switch option exists, it requires that the user be within the test in which he wishes to loop; in some cases (such as with intermittent failures) that is not easy to do. This subroutine allows the user to load the address of any test from test 0 through test 40 at the halt and then go directly to that test.

- h. **WAS-IS (Multiplexer Status, Selection, and Repeatability Test)** – This routine stores an initial conversion value for each channel in the initial table (ITABLE). This initial value is either the average of 128 conversions or the result of a single conversion, depending on the setting of SW10. A single conversion is then taken on each channel and stored in OTABLE (OLD TABLE). From that point, sets of one conversion for each channel are taken and stored in NTABLE (NEW TABLE). OTABLE and NTABLE are compared for  $\pm 1$  LSB agreement (unless SW9 is set, in which case they must agree exactly; errors are printed out in a CHANNEL XX WAS YYYYYY, is ZZZZZZ format. After the comparison, OTABLE is updated with NTABLE and the process is repeated. If SW5 is set, eight comparisons are made on each channel before going to the following channel. Whenever SW6 is set, a comparison of ITABLE and NTABLE is printed out, which allows drift to be checked. If SW7 is set, NTABLE is compared with ITABLE instead of OTABLE. The bell is rung after every 4096 passes.

- i. **SIGMA1 (Repeatability Specification Test)** – This routine tests repeatability to specifications on the channels desired at gains of 4 and 8. Ten thousand conversions are taken at each gain. The specifications have been interpreted to mean that 35 conversions out of the ten thousand may be outside of 2 states at a gain of 4, and the 35 conversions out of ten thousand may be outside of 3 states at a gain of 8.

At a gain of 4, the first 128 conversions are averaged. Then, ten thousand conversions are made, and each is compared to the average. If it is equal to the average, EQUAL is incremented. If it is one less than the average, UNDER is incremented. If it is farther from the average than one count, OUT is incremented. At the end of the ten thousand conversions, a check is made to determine the 2 allowed states (either equal and over or equal and under). The total for the other state (either over or under) is then added to the location OUT. If this total (OUT) is now greater than 35 (DECIMAL), the test fails. The distribution printed out with SW6 or SW7 up is this final setup – the number equal to the average, the number one less than the average, the number one greater than the average, and the total of those differing by more than one count plus those in the nonallowed state.

At a gain of 8, the first 128 conversions are averaged. Then, ten thousand conversions are made, and each is compared to the average. If it is within plus or minus one of the average, EQUAL is incremented. If not, OUT is incremented. At the end of ten thousand conversions, if more than 35 were outside of the 3 allowed states the test fails. The distribution printed out with SW6 or SW7 up is simply the number that were within the 3 states and the number outside of 3 states.



## 5.2 PREVENTIVE MAINTENANCE

A systematic preventive maintenance program is a useful tool to avert system failures. Proper application of a preventive maintenance program is an aid to both serviceman and user, because detection and prevention of probable failures substantially reduces maintenance and downtime.

Scheduling of computer usage should always include time for maintenance. Careful diagnostic testing can indicate problems that may only occur intermittently during on-line operation.

Weekly program checks and thorough preventive maintenance should be followed, based on the following criteria:

electrical: 1000 hours  
mechanical: 500 hours  
or at least quarterly.

### 5.2.1 Preventive Maintenance Tasks

Step	Procedure
1	Clean the exterior and interior of the equipment cabinet using a vacuum cleaner, air blower, or a brush with long soft bristles, and/or cloths moistened in nonflammable solvent. If an air hose is used for cleaning, do not disturb components or wiring.
2	Lubricate hinges, slide mechanisms, and casters, with a light machine oil. Wipe off excess oil.
3	Visually inspect equipment for general condition. Repaint any scratched area with DEC black paint or Krylon Glossy white no. 1501.
4	Inspect all wiring and cables for cuts, breaks, fraying, wear, deterioration, kinks, strains, and mechanical security. Tape, solder, or replace any defective wiring or cable covering.
5	Inspect the following for mechanical security: keys, switches, control knobs, lamps, connectors, transformers, fans, capacitors, etc. Tighten or replace as required.
6	Inspect all module mounting panels to ensure that each module is securely seated in its connector. Remove and clean any module that may have collected dirt or dust due to improper air filter service.
7	Inspect power supply components for leaky capacitors, overheated resistor, etc. Replace any defective components.
8	Check the output voltages and ripple contents of the power supply as specified in Paragraph 2.6. Use a multimeter to make these measurements without disconnecting the load. Use an oscilloscope to measure p-p ripple on all dc outputs of the supply. The outputs of the supplies are adjustable; therefore, if any output voltages are not attainable, initiate power supply maintenance. Refer to the block schematic associated with the power supply in question. If ripple content is not within specifications, the power supply is considered defective, and corrective maintenance should be performed.
9	Run AD01-D programs to verify proper equipment operation.
10	Enter preventive maintenance results in a log book.
11	Vibrate the modules and wiring panels, while running the diagnostics.
12	Check all analog adjustments, while running the diagnostics.

## 5.3 CORRECTIVE MAINTENANCE

The AD01-D Analog Subsystem is constructed of highly reliable modules. The reliability of these circuits, in conjunction with performance of the preventive maintenance tasks, ensures relatively little equipment downtime due to failure. If a malfunction occurs, maintenance personnel should analyze the condition and correct as indicated in the following paragraphs.

The best corrective maintenance tool is a thorough understanding of the physical and electrical characteristics of the equipment. Persons responsible for maintenance should become thoroughly familiar with the system concept, the block schematics, the operation of specific module circuits, and the location of mechanical and electrical components. Diagnosis and remedial action for a faulty condition can be undertaken logically and systematically in the following phases:

- Preliminary Investigation
- System Troubleshooting
- Logic Troubleshooting
- Circuit Troubleshooting
- Repair/Replacement
- Validation Tests
- Recording

### 5.3.1 Preliminary Investigation

Before commencing troubleshooting procedures, explore every possible source of information. Analyze the problem before attempting to troubleshoot the system. Gather all available information from users who have encountered the problem, and check the system log book for any previous references to the problem.

Do not attempt to troubleshoot using complex system programs alone. Run the AD01-D MainDEC-11-D6AB Diagnostic program and select the shortest, simplest program available that exhibits the error conditions.

### 5.3.2 System Troubleshooting

When the problem is understood and the proper program has been selected, the logic section of the system at fault should be determined. Obviously, the program that has been selected gives a reasonable idea of what section of the system is failing. However, faults in equipment that transmit or receive information, or improper connection of the system, frequently give fault indications similar to those caused by computer malfunctions.

### 5.3.3 Logic Troubleshooting

Before attempting to troubleshoot the logic, make certain that proper and calibrated test equipment is available. Always calibrate the vertical preamp and probes of an oscilloscope before using. Ensure that the oscilloscope has a good ac ground and keep the dc ground from the probe as short as possible. Use the oscilloscope to trace signal flow through the suspected logic element. Oscilloscope sweep can be synchronized by control pulses or by level transitions that are available on individual module terminals at the wiring side of the logic.

#### CAUTION

When probing the logic, do not short between pins. Shorting of signal pins to power supply pins may result in damage to components.

### 5.3.4 Circuit Troubleshooting

Engineering schematic diagrams of each module used in the AD01-D are available; refer to these diagrams for detailed circuit information.

Visually inspect the module on the component side and the printed wiring side to check for overheated or broken components or etch. If this inspection fails to reveal the cause of trouble or to confirm a fault condition observed, use the multimeter to measure resistances.

#### CAUTION

To avoid damaging components, do not use the lowest or highest resistance ranges of the multimeter when checking semiconductor devices. The X10 range is suggested.

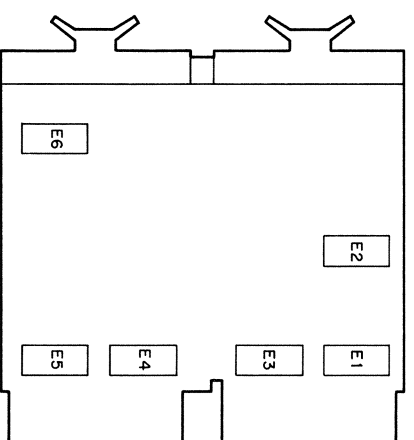
Measure the forward and reverse resistances of diodes; diodes should measure approximately  $20\Omega$  forward and more than  $1000\Omega$  reverse. If readings in each direction are the same and no parallel paths exist, replace the diode.

Measure the emitter-collector, collector-base, and emitter-base resistances of transistors in both directions. Short circuits between collector and emitter, or an open circuit in the base-emitter path, cause most failures. A good transistor indicates an open circuit in both directions between collector and emitter. Normally  $50\Omega$  to  $100\Omega$  resistance exists between the emitter and the base, or between the collector and the base in the forward direction, and an open circuit condition exists in the reverse direction. To determine forward and reverse directions, consider a transistor as two diodes connected back to back. In this analogy, PNP transistors would have both cathodes connected together to form the base, and both the emitter and collector assume the function of an anode. In NPN transistors, the base would be a common-anode connection, and both the emitter and collector, the cathode.

Multimeter polarity must be checked before measuring resistance, because many meters apply a positive voltage to the common lead when in the resistance mode.

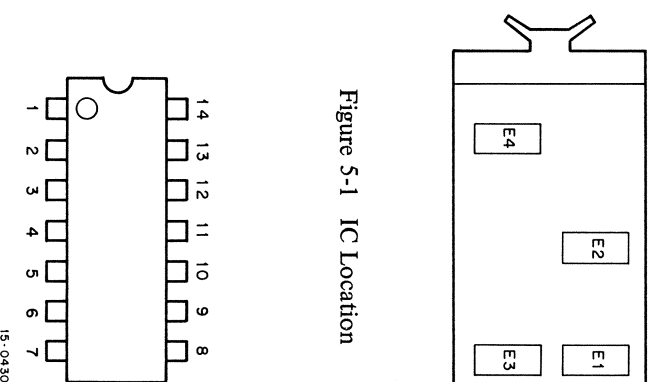
Because integrated circuits (ICs) contain complex integrated circuits with only the input, output, and power terminals available, static multimeter testing is limited to continuity checks for shorts between terminals. IC checking is best accomplished under dynamic conditions using a module extender to make terminals readily accessible. Using AD01-D block schematics and module schematics, proceed as follows to locate an IC on a circuit board:

- | Step | Procedure  |
|------|--|
| 1    | Hold the module with the handle in your left hand with the component side facing you.                            |
| 2    | ICs are numbered starting at the contact side of the board, upper right-hand corner.                             |
| 3    | The numbers increase toward the handle.  |
| 4    | When a row is complete, the next IC is located in the next row at the contact end of the board (see Figure 5-1). |
| 5    | The pins on each IC are located as illustrated in Figure 5-2.  |



15-0430

Figure 5-1 IC Location



15-0430

Figure 5-2 IC Pin Location

### 5.3.5 Validation Tests

Return repaired modules to the location from which they were removed. If a defective module is replaced by a new module while repairs are being made, tag the defective module and note the location from which it was taken and the nature of the failure. When repairs are completed, return the repaired module to its original location, and confirm that the repairs have resolved the problem by running all tests that originally exhibited the problem.

#### NOTE

If modules have been moved during the troubleshooting period, return all modules to their original positions before running the validation tests.

### 5.3.6 Recording

Maintain a log book (supplied) of AD01-D failures and corrective maintenance. All maintenance should be recorded in this book. Record all data indicating the symptoms of the fault, the method of fault detection, the component at fault, and any comments that would be helpful in maintaining the equipment in the future.

The log should be maintained on a daily basis, recording all operator usage and corrective maintenance results.

### 5.4 TEST EQUIPMENT

To service the AD01-D Analog Subsystem, the equipment listed in Table 5-1 is recommended. If recommended equipment is not available, alternate equipment with the same performance specifications should be used.

Table 5-1  
Test Equipment Required

Equipment	Manufacturer	Designation
Voltage Standard (EDC)	Electronic Development Corporation	MV-100 (or equivalent)
10:1 Divider	DEC	No. 29-16810
Digital Voltmeter	Hewlett Packard	HP-3460 (or equivalent)
Multimeter	Triplet or Simpson	Model 630-NA or 260
Oscilloscope	Tektronix	Type 453 (or equivalent)
Probe (2)	Tektronix	P6010
X10 Probe (2)	Tektronix	P6008
Module Extender (2)	DEC	W982
Multiplexer Checkout Module	DEC	G735

### 5.5 MODULE HANDLING AND REPAIR

To insert or extract modules, first turn off all power. To gain access to components on a module, remove the module by exerting a straight, even pull on the module handle to prevent twisting of the printed-wiring board. Insert a type W982 Flip-Chip Module extender into the vacated module mounting panel, then insert the module into the extender. Use two W982 Extender Modules for dual modules.

Do not attempt to repair, adjust, or calibrate the A862 and A812 Analog-to-Digital Converter modules except as noted in the Acceptance and Calibration procedure (A-SP-AD01-12 and 11).

#### NOTE

Failure to follow this rule may violate the warranty.

### 5.6 SPARE PARTS

The customer should maintain a spare parts inventory of those modules listed in Table 5-2.

Table 5-2

#### Spare Parts List

Type/Part No.	Name	Quantity
A124	Four-Input Multiplexer Switch	1
A124*	Four-Input Multiplexer	1
A220	Selectable Gain Buffer Amplifier	1
A862 (AH05)*	Bipolar A/D Converter	1
A405 (AH04)*	Sample and Hold	1
A708	Dual Voltage Regulator	1
A812	10-Bit A/D Converter	1
G736	Request Jumper	1
M105	Address Selector	1
M111	Inverter	1
M112	NOR Gate	1
M113	10-2-Input NAND Gates	1
M161	Binary to Octal/Decimal Decoder	1
M206	Six Flip-Flops	1
M302	Dual Delay Multivibrator	1
M501	Schmitt Trigger	1
M617	6-4-Input NOR Buffers	1
M782	Interrupt Control	1
M783	Unibus Drivers	1
M784	Unibus Receivers	1
M785	Unibus Transceivers	1
M908	Connector	1

\* Denotes optional modules.

## CHAPTER 6 ENGINEERING DRAWINGS

This chapter contains a listing of DEC block schematics and cabling diagrams which are referenced in other chapters of this maintenance manual and are contained in Volume II of this manual. These drawings provide detailed information about the logic and wiring of the AD01-D peripheral.

Table 6-1  
AD01-D Subsystem

Drawing Number	Title
A-ML-AD01-DA	10 Bit ADC with Switch Gain (AD01-DA)
D-UA-AD01-0	10 Bit ADC with Switched Gain
A-PL-AD01-D-0	10 Bit ADC with Switched Gain (Parts List)
D-DI-AD01-D-1	Drawing Index List (AD01-D)
D-AD-7006919-0-0	Wired Assembly (AD01-D)
A-PL-7006919-0-0	Wired Assembly (Parts List) (AD01-D)
D-MU-AD01-D-02	Module Utilization (AD01-D)
A-PL-AD01-D-02	Module Utilization (Parts List) (AD01-D)
D-BS-AD01-D-03	Module Utilization (Parts List)
D-BS-AD01-D-04	Interface and CSR
D-BS-AD01-D-05	A/D Converter
D-IC-AD01-D-06	Analog Input Connectors
D-IC-AD01-D-09	Bus Connector
D-IC-AD01-D-15	Analog Input Connector (LAB-11)
K-WL-AD01-D-0 (Complete)	Wire List (AD01-D)
A-AL-AD01-D-8	Accessory List

Table 6-1 (Cont)  
AD01-D Subsystem

Drawing Number	Title
A-SP-AD01-D-10	Engineering Specifications
A-SP-AD01-D-12	Acceptance Procedure
A-ML-AH04-0	Sample and Hold Option AH04
A-PL-AH04-0-0	Sample and Hold (Parts List)
C-CS-A405-0-1	Sample and Hold
A-ML-AH05-0	One Bit Extender for AD01
A-PL-AH05-0-0	One Bit Extender for AD01 (Parts List)
D-CS-A862-0-1	11 Bit A/D Converter with Sign
D-CS-A812-0-1	A/D Converter
C-UA-H727-A-0	H727-A Power Supply, 115V
C-UA-H727-B-0	H727-B Power Supply, 230V
D-UA-H716-B-0	H716-B Power Supply, 115V
D-UA-H716-D-0	H716-D Power Supply, 230V

# APPENDIX A 10-BIT UNIPOLAR CALIBRATION CHART

Date: AD01-D  
Serial No: 10 Bit Unipolar

## CALIBRATION CHART

Switching Point	From	To	Gain=1 ±10 mV ±12.5 mV W/AH04		Gain=2 ±5 mV ±6.25 mV W/AH04		Gain=3 ±2.5 mV ±3.12 mV W/AH04		Gain=4 ±1.25 mV ±1.56 mV W/AH04	
			Theor. Voltage	Actual Voltage	Theor. Voltage	Actual Voltage	Theor. Voltage	Actual Voltage	Theor. Voltage	Actual Voltage
000000	000001	0.0049	0.0029	0.0012	0.0006					
000001	000002	0.0146	0.0073	0.0036	0.0018					
000003	000004	0.0342	0.0171	0.0085	0.0043					
000004	000005	0.0439	0.0220	0.0110	0.0055					
000007	000010	0.0732	0.0366	0.0183	0.0091					
000010	000011	0.0829	0.0415	0.0207	0.0104					
000017	000020	0.1514	0.0757	0.0378	0.0189					
000020	000021	0.1611	0.0806	0.0403	0.0201					
000037	000040	0.3076	0.1538	0.0769	0.0385					
000040	000041	0.3173	0.1587	0.0793	0.0397					
000076	000077	0.6103	0.3051	0.1526	0.0763					
000077	000100	0.6201	0.3101	0.1550	0.0775					
000100	000101	0.6298	0.3149	0.1575	0.0787					
000176	000177	1.2353	0.6177	0.3088	0.1544					
000177	000200	1.2451	0.6226	0.3113	0.1556					
000200	000201	1.2549	0.6274	0.3137	0.1569					
000376	000377	2.4853	1.2427	0.6213	0.3107					
000377	000400	2.4951	1.2476	0.6238	0.3119					
000400	000401	2.5049	1.2524	0.6262	0.3131					
000776	000777	4.9853	2.4927	1.2463	0.6232					
000777	001000	4.9951	2.4976	1.2488	0.6244					
001000	001001	5.0049	2.5024	1.2512	0.6256					
001376	001377	7.4853	3.7427	1.8713	0.9357					
001377	001400	7.4951	3.7476	1.8738	0.9369					
001400	001401	7.5049	3.7524	1.8762	0.9381					
001576	001577	8.7353	4.3677	2.1838	1.0919					
001577	001600	8.7451	4.3726	2.1863	1.0931					
001600	001601	8.7549	4.3774	2.1887	1.0944					
001775	001776	9.9756	4.9878	2.4939	1.2470					
001776	001777	9.9853	4.9927	2.4963	1.2482					

# APPENDIX B 11-BIT BIPOLAR CALIBRATION CHART

Date:  
Serial No:

AD01-D  
11 Bit Bipolar  
CALIBRATION CHART

Switching Point	From	To	Gain=1 ±10 mV ±12.5 mV W/AH04		Gain=2 ±5 mV ±6.25 mV W/AH04		Gain=4 ±2.5 mV ±3.125 mV W/AH04		Gain=8 ±1.25 mV ±1.56 mV W/AH04	
			Theor. Voltage	Actual Voltage	Theor. Voltage	Actual Voltage	Theor. Voltage	Actual Voltage	Theor. Voltage	Actual Voltage
001777	001776	001776	9.9853	4.9926	2.4963	1.2482				
001776	001775	001775	9.9756	4.9878	2.4939	1.2470				
001001	001000	001000	5.0049	2.5024	1.2512	0.6256				
001000	000777	000777	4.9951	2.4976	1.2488	0.6244				
000777	000776	000776	4.9853	2.4937	1.2463	0.6232				
000601	000600	000600	3.7549	1.8774	0.9387	0.4694				
000600	000577	000577	3.7451	1.8726	0.9363	0.4681				
000201	000200	000200	1.2549	0.6274	0.3137	0.1569				
000200	000177	000177	1.2451	0.6226	0.3113	0.1556				
000021	000020	000020	0.1611	0.0806	0.0403	0.0201				
000020	000017	000017	0.1514	0.0757	0.0378	0.0189				
000004	000003	000003	0.0342	0.0171	0.0085	0.0043				
000003	000002	000002	0.0244	0.0122	0.0061	0.0030				
000002	000001	000001	0.0146	0.0073	0.0036	0.0018				
000001	000000	000000	0.0049	0.0024	0.0012	0.0006				
000000	177777	177777	-0.0049	-0.0024	-0.0012	-0.0006				
177777	177776	177776	-0.0146	-0.0073	-0.0036	-0.0018				
177776	177775	177775	-0.0244	-0.0122	-0.0061	-0.0030				
177775	177774	177774	-0.0342	-0.0171	-0.0085	-0.0043				
177774	177747	177747	-0.2393	-0.1196	-0.0598	-0.0299				
177750	177746	177746	-0.2490	-0.1245	-0.0623	-0.0312				
177747	177577	177577	-1.2549	-0.6274	-0.3137	-0.1569				
177600	177576	177576	-1.2647	-0.6324	-0.3162	-0.1581				
177577	177576	177576	-1.2647	-0.6324	-0.3162	-0.1581				
177001	177000	177000	-4.9951	-2.4976	-1.2488	-0.6244				
177000	176777	176777	-5.0049	-2.5024	-1.2512	-0.6256				
176777	176776	176776	-5.0147	-2.5074	-1.2537	-0.6269				
176300	176277	176277	-8.1299	-4.0649	-2.0325	-1.0162				
176277	176276	176276	-8.1396	-4.0698	-2.0349	-1.0175				
176003	176002	176002	-9.9756	-4.9878	-2.4939	-1.2470				
176002	176001	176001	-9.9853	-4.9926	-2.4963	-1.2482				