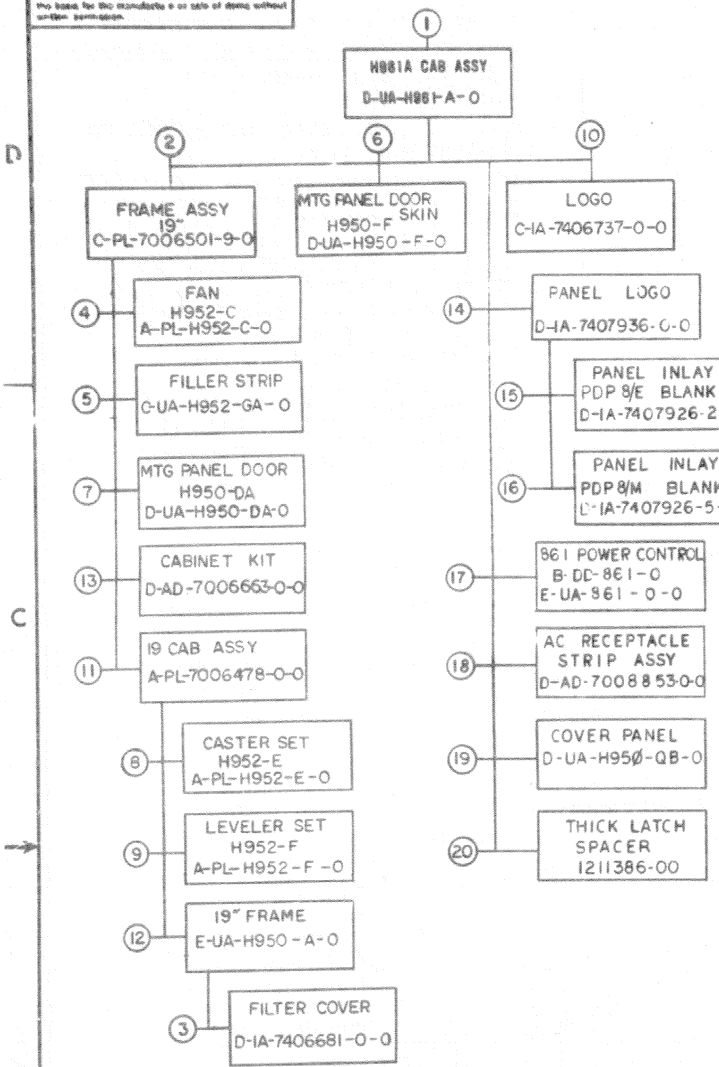


This drawing and specifications, herein, are the property of Digital Equipment Corporation and shall not be reproduced or used in whole or in part as any basis for the manufacture or sale of items without written permission.



MECHANICAL				DEPT USAGE			MECHANICAL				DEPT USAGE		
FIND NO	DESCRIPTION	PART NO	PROD	CUST	F/C	FIND NO	DESCRIPTION	PART NO.	PROD	CUST	F/C		
1	H961-A CAB ASSY H961-ACAB ASSY	D-UA-H961-A-0 A-PL-H961-A-0				14	PANEL LOGO	D-IA-7407936-0-0					
2	19 IN. FRAME ASSY	C-PL-7006501-9-0				15	PANEL INLAY, 8/E BLANK SILK SCREEN (TERRA COTTA) SILK SCREEN (AMBER) SILK SCREEN (WHITE)	D-IA-7407926-2-0 C-SS-7407926-0-1 C-SS-7407926-0-2 C-SS-7407926-0-3					
3	FILTER COVER SCREEN	D-IA-7406681-0-0 C-SC-1208105-0-0				16	PANEL INLAY, 8/M BLANK SILK SCREEN (TERRA COTTA) SILK SCREEN (RUSSETT ORN) SILK SCREEN (WHITE)	C-IA-7407926-5-0 C-SS-7407926-0-1 C-SS-7407926-0-2 C-SS-7407926-0-3					
4	FAN H952 C COVER FAN HOLE	A-PL-H952-C-0 C-MD-7408708-0-0				17	POWER CONTROL, 861	B-DD-861-0					
5	FILLER STRIP FILLER STRIP, PL FILLER STRIP, REAR FILLER STRIP, FRONT	C-UA-H952-GA-0 A-PL-H952-0-0 C-MD-7408478-0-0 C-MD-7408478-0-0				18	AC RECEPTACLE STRIP ASSY	D-AD-7008853-0-0					
6	MTG PANEL DOOR SKIN H950-F MTG PANEL DOOR SKIN H950-F(PL)	D-UA-H950-F-0 A-PL-H950-F-0				19	COVER PANEL	D-UA-H950-QB-0					
7	MOUNTING PANEL DOOR H950-DA MOUNTING PANEL DOOR H950-DA (PL) FRAME, MOUNTING DOOR ASSY PIN, DOOR RETAINER BUSHING, PIVOT PIN, DOOR PIN, DOOR	D-UA-H950-DA-0 A-PL-H950-DA-0 E-IA-7408705-2 E-MD-7408670-0-0 B-MD-7408702-0-0 B-MD-7408672-0-0 B-MD-7408671-0-0				20	THICK LATCH SPACER	I211386-00					
8	CASTER SET H952-E	A-PL-H952-E-0											
9	LEVELER SET H952-F	A-PL-H952-F-0											
10	LOGO SILK SCREEN (MARGOLD YEL) SILK SCREEN (RUSSET ORN)	C-IA-7406737-0-0 C-SS-7406737-0-1 C-SS-7406737-0-2											
11	19" CAB ASSY	A-PL-7006478-0-0											
12	FRAME H950-A FRAME H950-A (PL) 19" FRAME	E-UA-H950-A-0 A-PL-H950-A-0 E-IA-7406662-0-0											
13	CABINET KIT CABINET KIT (PL) RET HORIZ CABLE CLAMP CABLE KICKPLATE RET VERT CABLE	D-AD-7006653-0-0 A-PL-7006653-0-0 D-MD-7406822-0-0 B-MD-7406583-0-0 D-IA-7406793-0-0 C-IA-7406403-0-0											

CHK	REV	CHANGE NO	REV
	A	H961-00002	
	B	H961-00003	
	C	H961A-00001	
	D	H961A-00002	

FIRST USED ON OPTION/MODEL D-UA-H961-A-0	QTY.	DESCRIPTION	PART NO.	ITEM NO.
UNLESS OTHERWISE SPECIFIED				
DIMENSION IN INCHES				
TOLERANCES				
DECIMALS	FRACTIONS	ANGLES		
± .008	± 1/64	± 0°30'		
FINAL SURFACE QUALITY				
REMOVE BURRS AND BREAK SHARP CORNERS				
MATERIAL	PARTS LIST			
FINISH	TITLE			
	DWG INDEX LIST			
	H961-A CAB ASSY			
	NEXT HIGHER ASSY.			
	D-UA-H961-A-0			
	SCALE	NONE	NUMBER	REV.
	SHEET	1 OF 1	DIA H961-A-1	

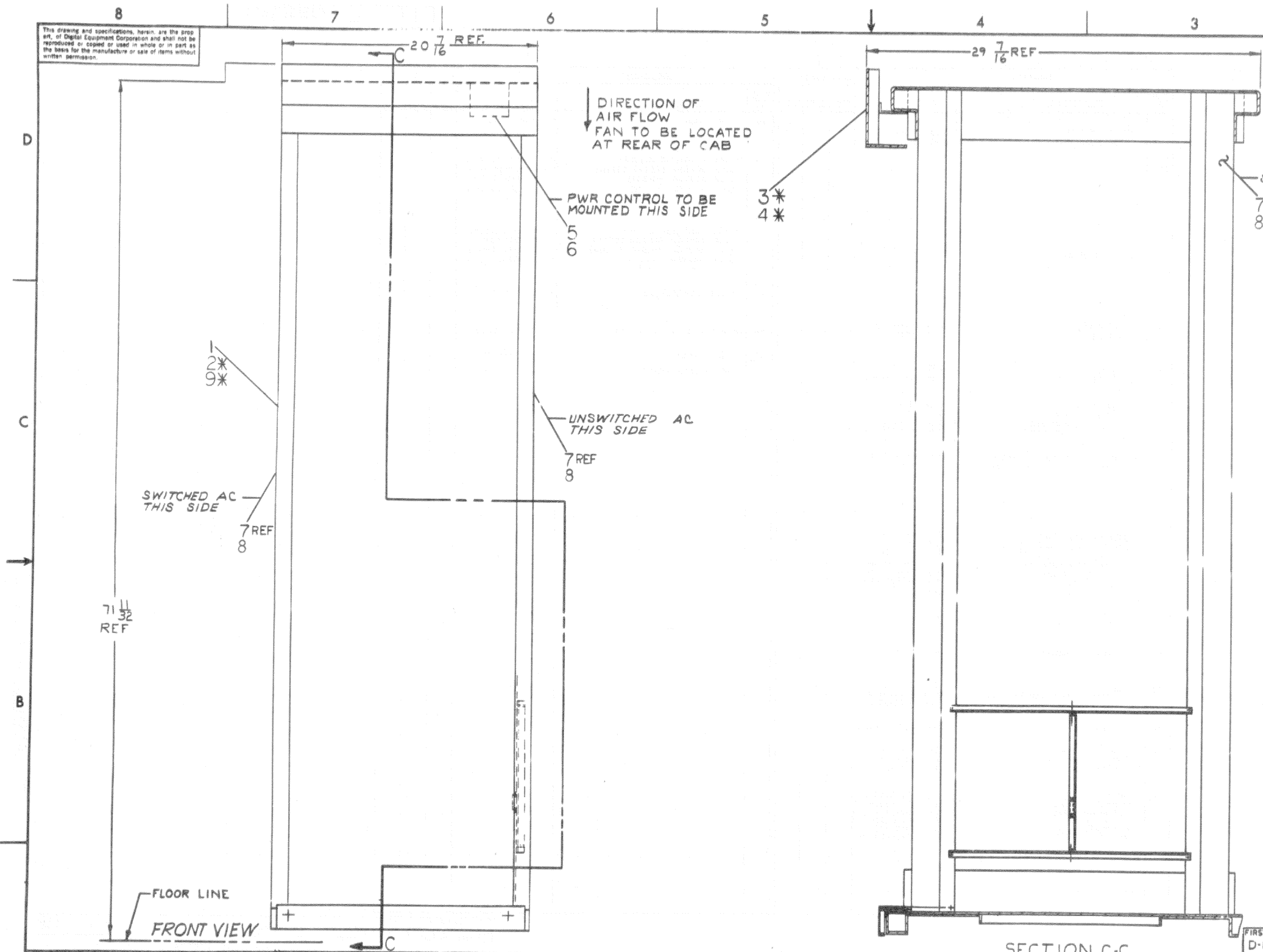
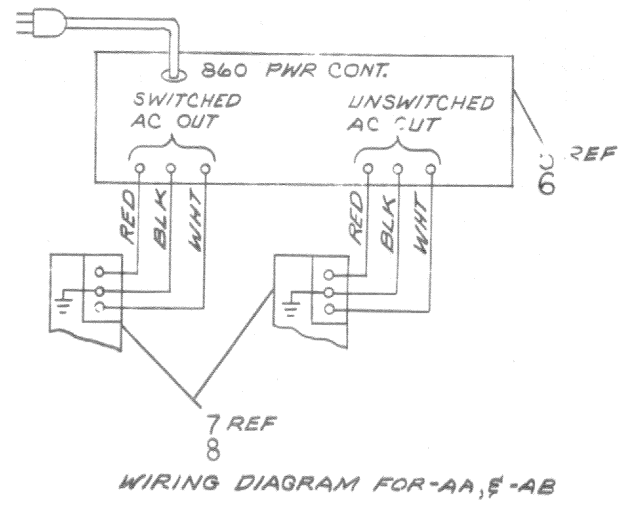
SIZE CODE NUMBER D/H961-A-1

This drawing and specifications, herein, are the property of Digital Equipment Corporation and shall not be reproduced or copied or used in whole or in part as the basis for the manufacture or sale of items without written permission.

D-UA-H961-A-0 2

- NOTES:**
- ITEMS WITH ASTERISK \* NOT SHOWN
  - FOR ADDITIONAL ASSEMBLY INFORMATION, SEE DWG #D-OC-H950-0-0 & D-OC-H952-0-0.
  - FOR DRAWING INDEX LIST REFER TO D-DI-H961A-0-1.
  - WHEN THIS ASSY (H961A OPTION CAB) IS USED IN BI SYSTEM IT REQUIRES: PANEL DISTRIBUTION ASSY (COVER & RETAINERS IF REQUIRED) SEE CONFIGURATION DWG #D-AR-BI-0-25.
  - ITEMS #7 & 8 (NOT SHOWN) ARE TO BE MOUNTED AT THE REAR OF THE CABINET, ONE ON EACH SIDE.
  - ITEM #4, BLANK PANEL LOGO.

PART NO	VARIATION
7407936-9	PDP 8/E & B/F
7407936-16	PDP 8/M



REV	DATE	BY	CHKD	APP'D	DESCRIPTION
1	3-11-65	G. W. P.			REVISED TO 115V
2	3-11-65	G. W. P.			REVISED TO 230V
3	3-11-65	G. W. P.			REVISED TO 230V
4	3-11-65	G. W. P.			REVISED TO 230V
5	3-11-65	G. W. P.			REVISED TO 230V
6	3-11-65	G. W. P.			REVISED TO 230V
7	3-11-65	G. W. P.			REVISED TO 230V
8	3-11-65	G. W. P.			REVISED TO 230V

NUMBER	VARIATION
H961-AB	230V, SEE P.L.
H961-AA	115V, SEE R.L.
H961-A	AS SHOWN
NUMBER	VARIATION

LEGEND

FIRST USED ON OPTION/MODEL	QTY.	DESCRIPTION	PART NO.	ITEM NO.
D-UA-H961-A-0				
UNLESS OTHERWISE SPECIFIED				
DIMENSIONS IN INCHES				
TOLERANCES				
DECIMALS	FRACTIONS	ANGLES		
± .005	± 1/64	± 0°30'		
FINAL SURFACE QUALITY				
REMOVE BURRS AND BREAK SHARP CORNERS				
MATERIAL				
FINISH				
NEXT HIGHER ASSY.				
SCALE NONE				
SHEET 1 OF 1				

EQUIPMENT CORPORATION  
MAYNARD MASSACHUSETTS

TITLE  
**H961A CABINET ASSY**

SIZE CODE: D-UA H961-A-0  
NUMBER: H961-A-0  
REV: E

**DIGITAL EQUIPMENT CORPORATION**  
MAYNARD, MASSACHUSETTS  
**PARTS LIST**

<b>MADE BY</b> J. FLEMING	<b>CHECKED</b> HEALY	<b>SECTION</b>
<b>DATE</b> 8/7/68	<b>DATE</b> 9/30/68	1
<b>ENG</b> G. GRAHAM	<b>PROD</b> L. PRENTICE	<b>ISSUED SECT.</b>
<b>DATE</b> 10/3/68	<b>DATE</b> 10/9/68	1

**QUANTITY / VARIATION**

ITEM NO.	DWG NO. / PART NO.	DESCRIPTION	H961-A	H961-AA	H961-AB									
1	C-PL-7006501-9-0	19" FRAME ASSY	-	-	-									
2	D-UA-H950-FA-0	MTG PANEL DOOR SKIN H950-F	1	-	-									
3	C-IA-7406737-0-0	LOGO	1	-	-									
4	SEE NOTE #5	PANEL LOGO, BLANK	-	1	1									
5	861 - C	115V POWER CONTROL	-	1	-									
6	861 - B	230V POWER CONTROL	-	-	1									
7	7008853 - 1	115V AC RECEPTACLE STRIP ASSEMBLY	-	2	-									
8	7008853 - 2	230V AC RECEPTACLE STRIP ASSEMBLY	-	-	2									
9	D - UA-H950-S-0	FILTER, H950-S	-	1	1									
10	D-UA-H950-QB-0	COVER PANEL	6	-	-									
11	1211386-00	THICK LATCH SPACER	24	-	-									

<b>TITLE</b> H961-A CABINET	<b>ASSY NO.</b> D- H961-A-0	<b>SIZE CODE</b> A PL	<b>NUMBER</b> H961-A-0	<b>REV.</b> E	<b>ECO NO.</b> H961A-00002
	<b>SHEET 1 OF 1</b>		<b>DIST.</b> ←		

DEC FORM NO. DRA 110

