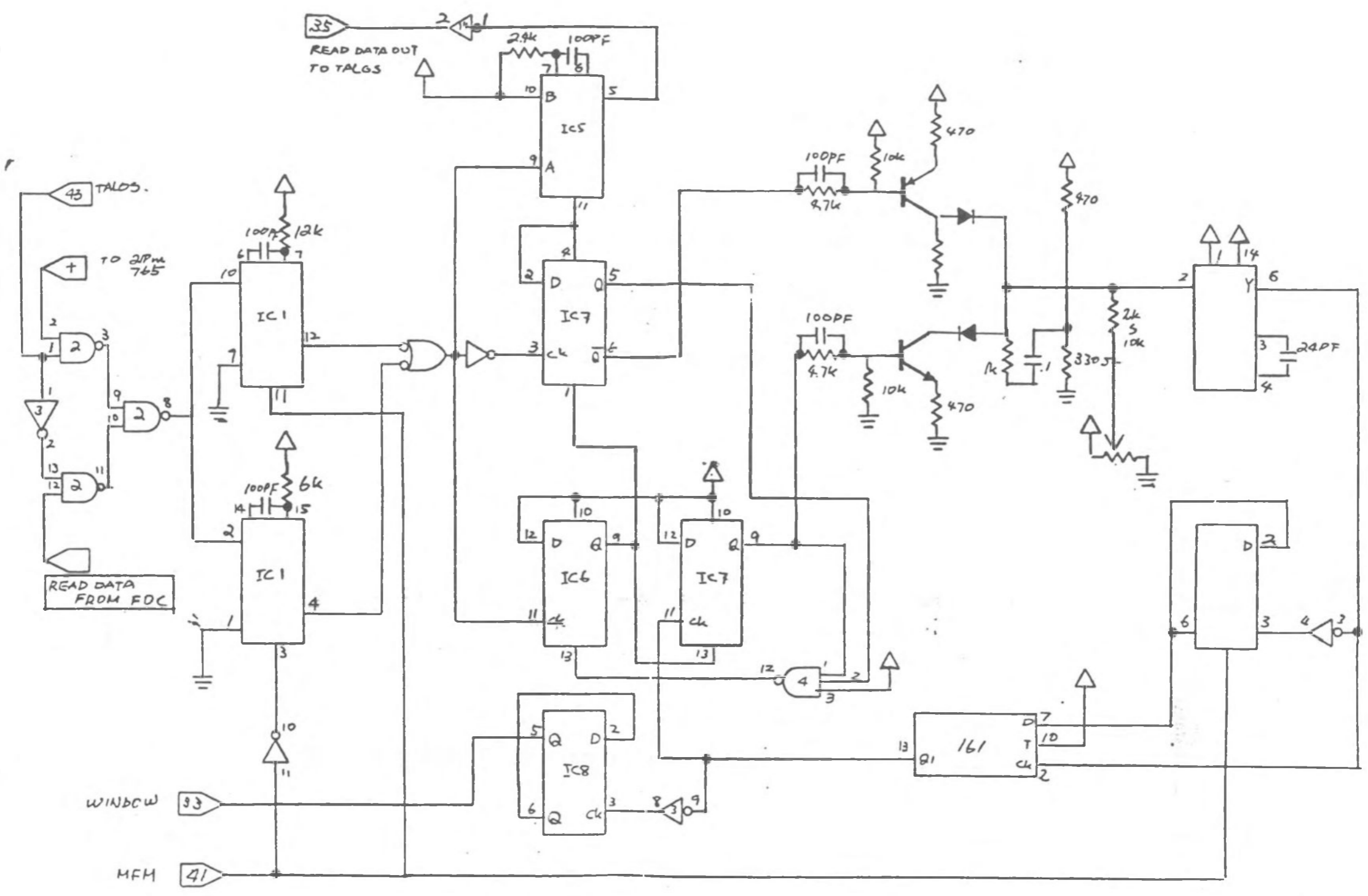


KEY.PRINTER



READ DATA FROM FDC

WINDOW 33

MFM 41

READ DATA OUT TO TALGS 35

TALOS 43

TO 2Pm 765

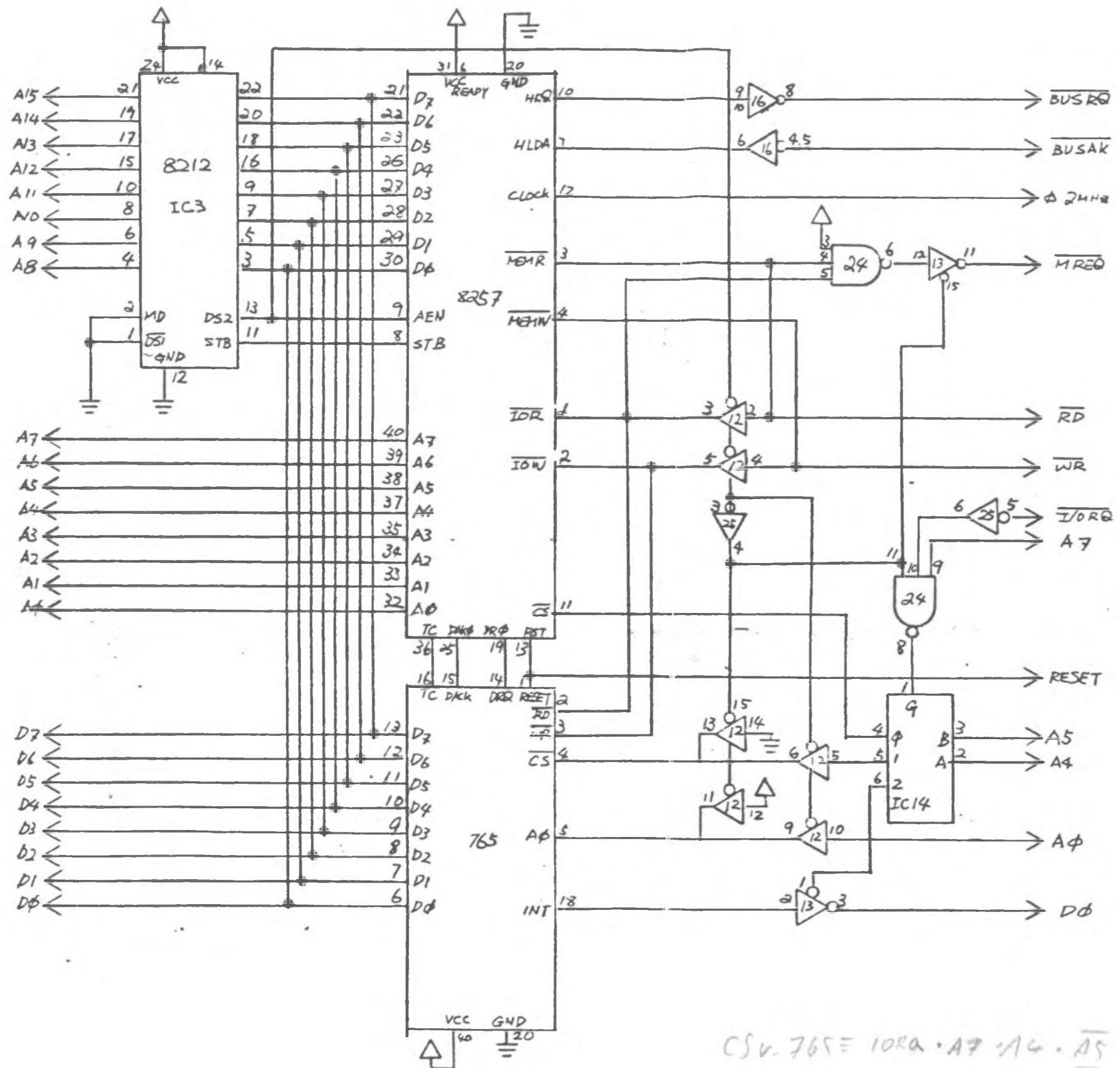
FDC

C... JAMPER

HL... CUT

X... CUT

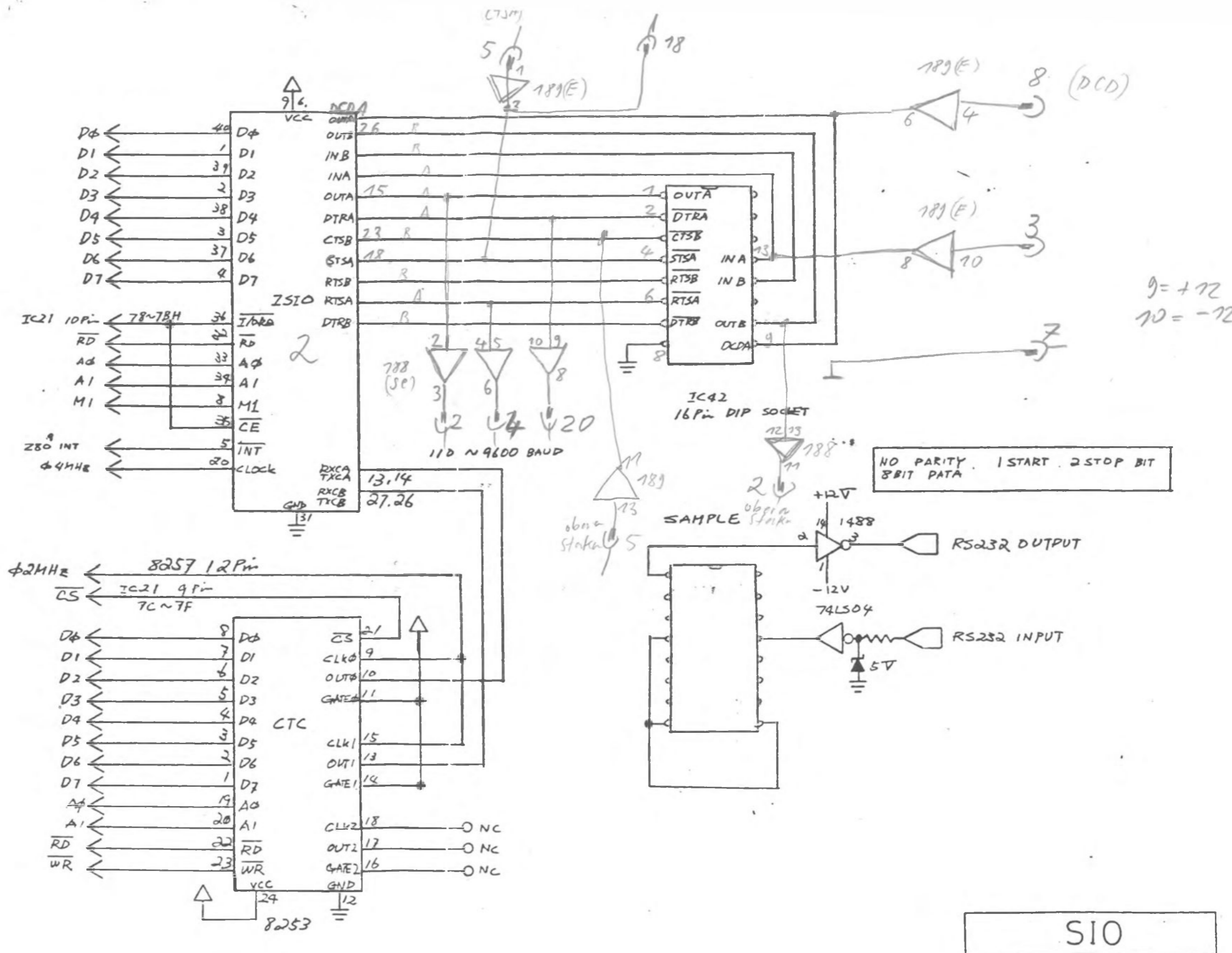
PLL



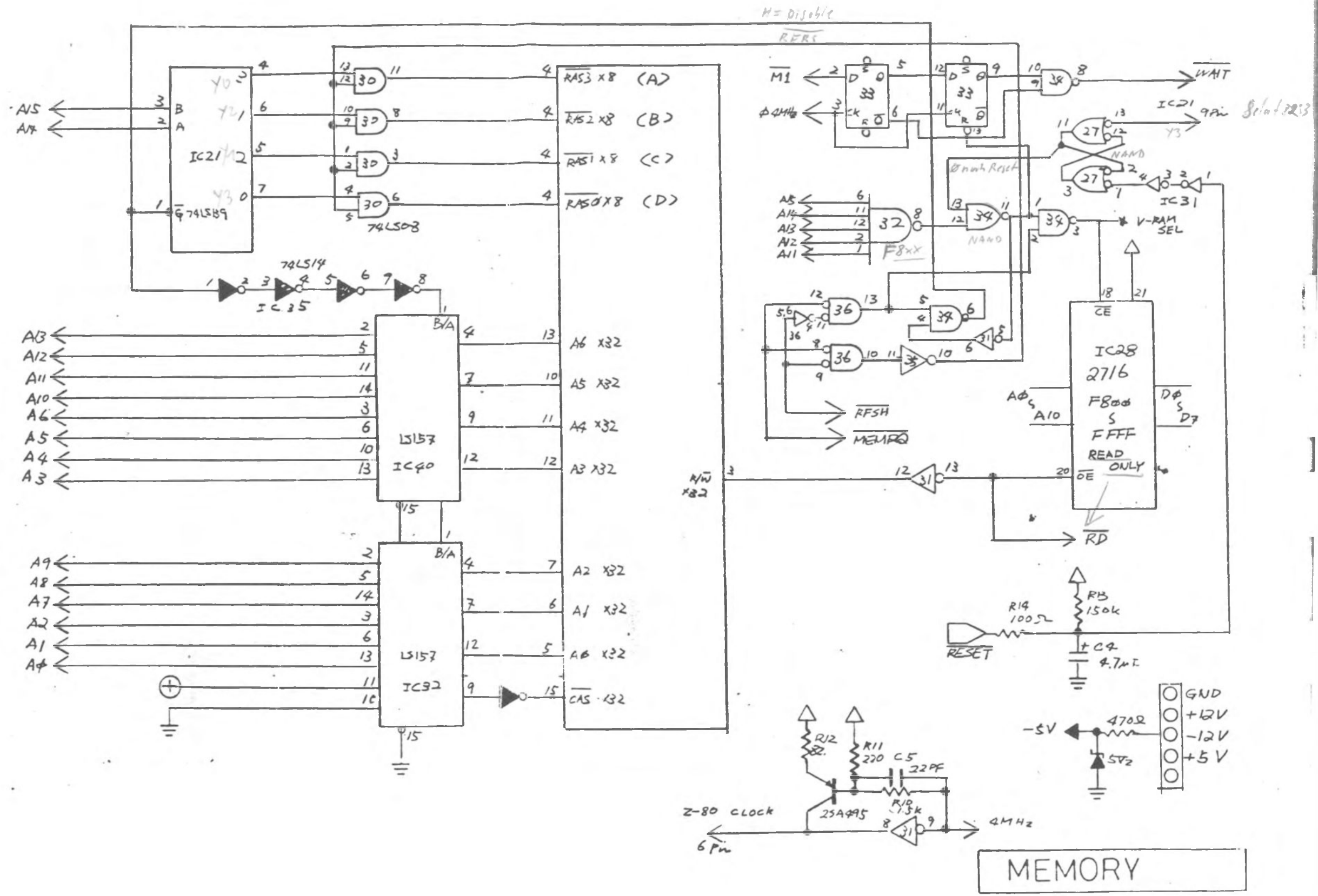
$CS \text{ v. } 765 = IOR \cdot A7 \cdot \overline{A4} \cdot \overline{A5}$
 $\text{v. } 8257 = \text{MEMR} \cdot A7 \cdot \overline{A6} \cdot \overline{A5}$

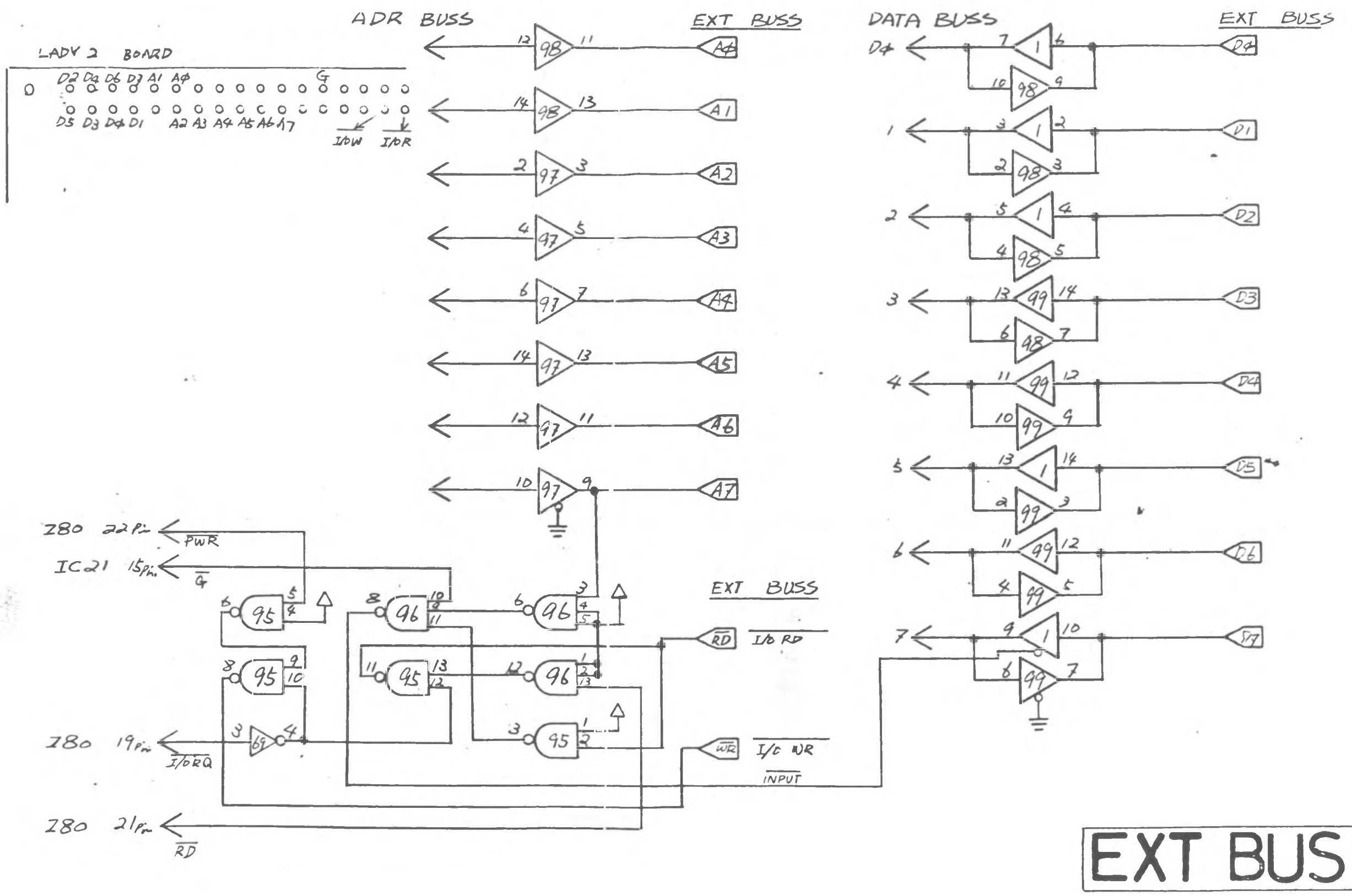
DMA

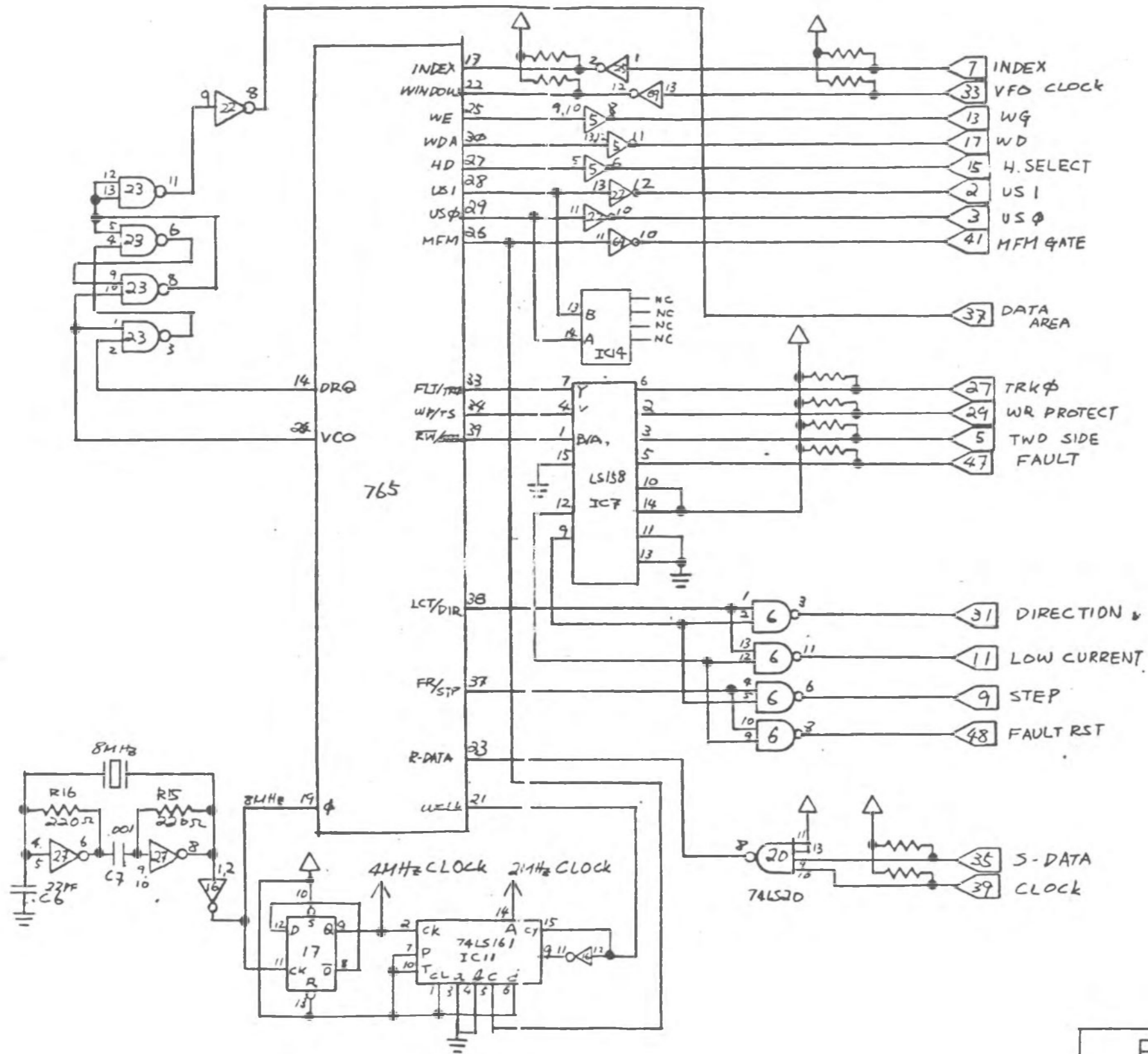
A7 A5 A0
 765 | 1 | 0 | 1 | | |
 8257 | 1 | 0 | 0 | | |
 8257 = 8x od. CX
 765 = 9x od. DX



SIO







804060 140460H 50
 1 03050 43045070H10
 FDC CONNECTER

FDC