

Figure 6 -
Address Decoding Section

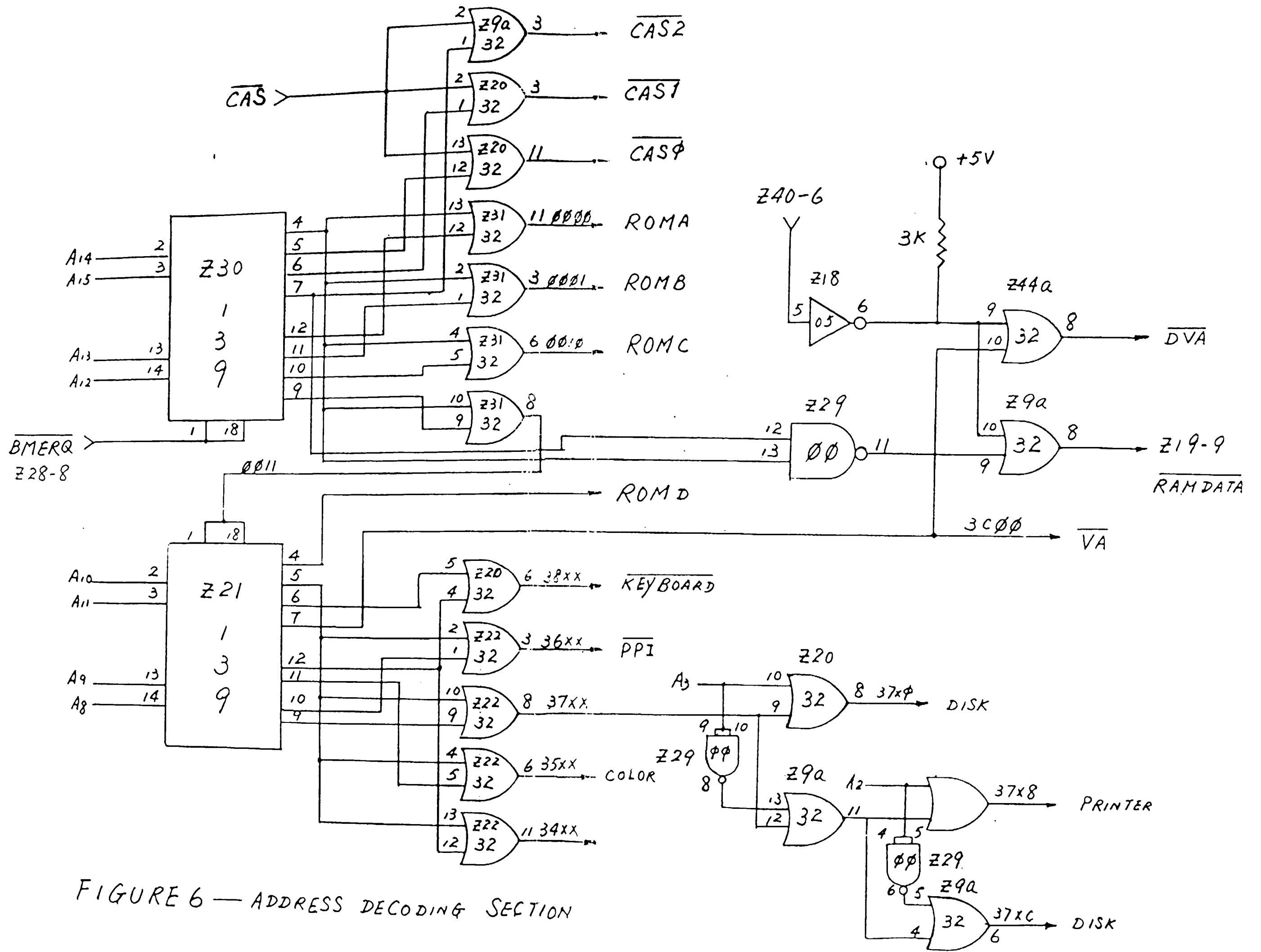


FIGURE 6 — ADDRESS DECODING SECTION

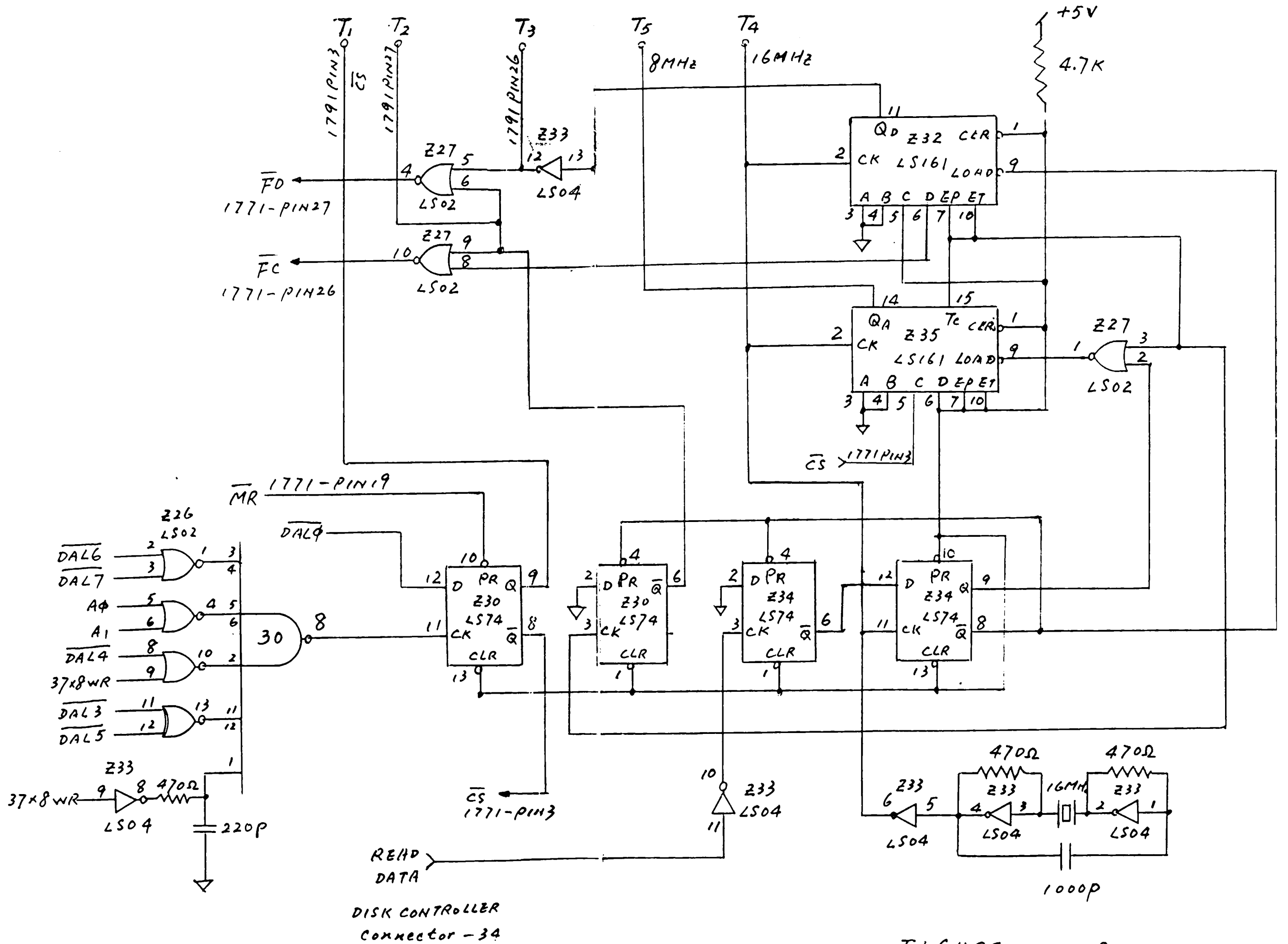


FIGURE 1 OF 2 —
DATA SEPARATOR

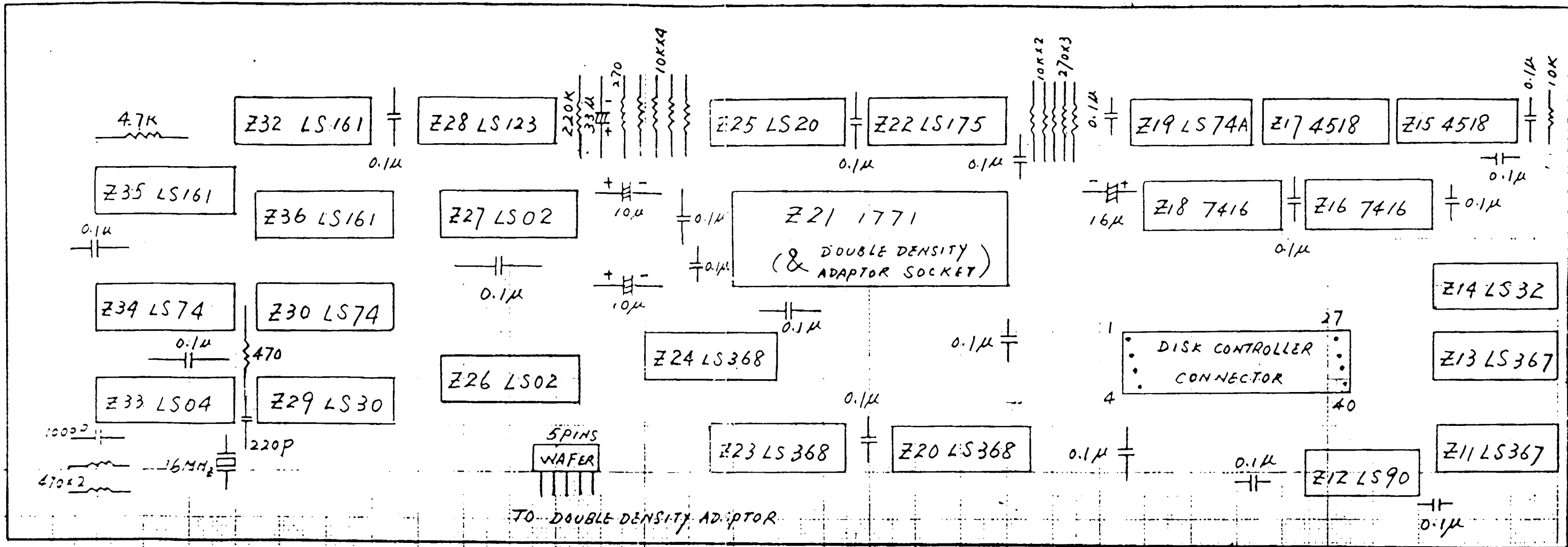
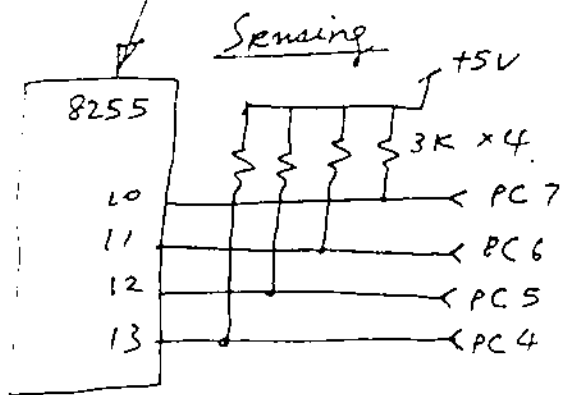
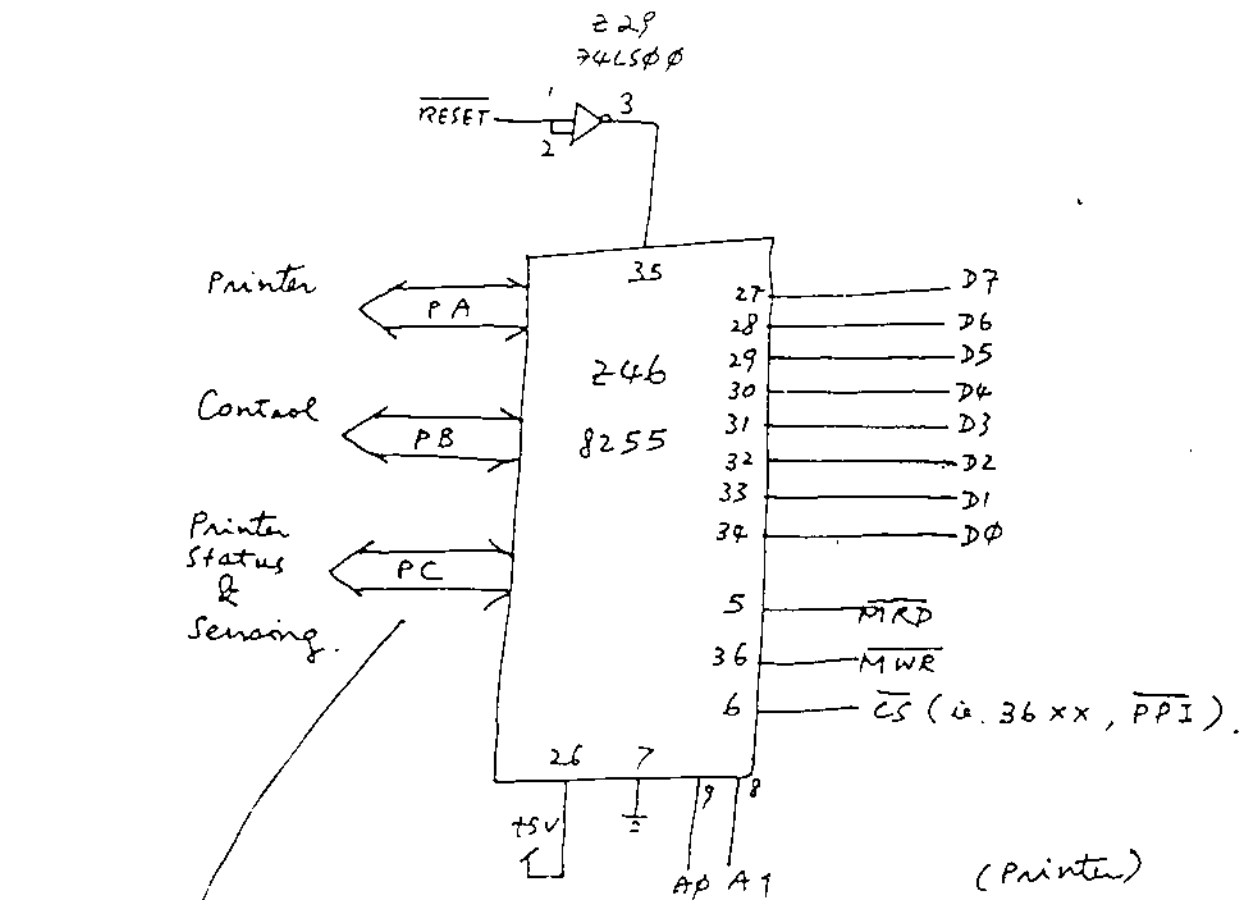


FIGURE 12-3

DISK CONTROLLER BOARD COMPONENTS SIDE



(Printer)

PA	PIN
7	37
6	38
5	39
4	40
3	1
2	2
1	3
0	4

(Printer status)

PC	PIN	Description
3	17	(Unit Select)
2	16	(out of paper)
1	15	(Busy)
0	10	(Data Strobe)

(Control)

PB	PIN
7	25
6	24
5	23
4	22
3	21
2	20
1	19
0	18

(Sensing)

PC	PIN
7	10
6	11
5	12
4	13

FIGURE 9 - Control Function Section

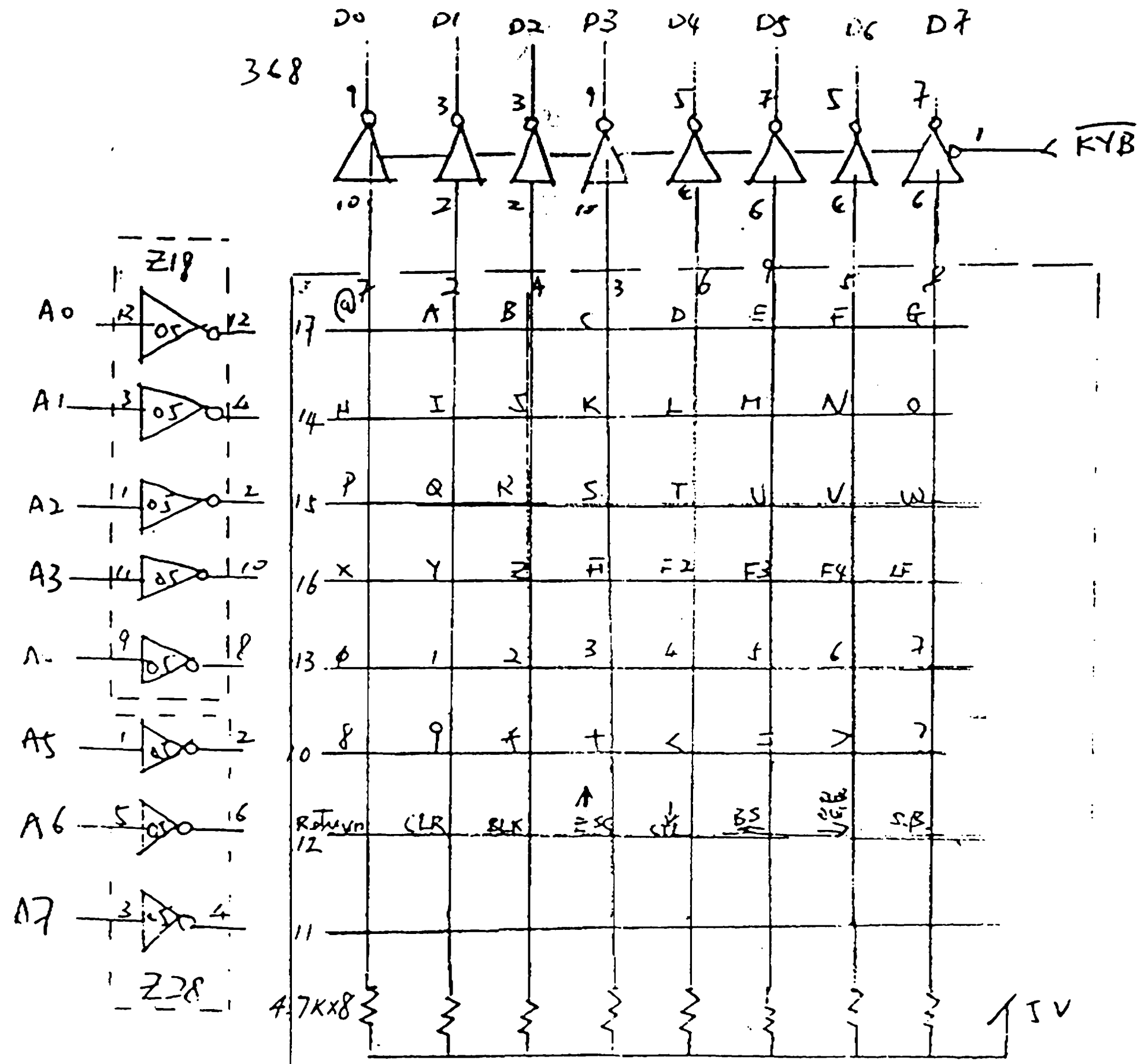
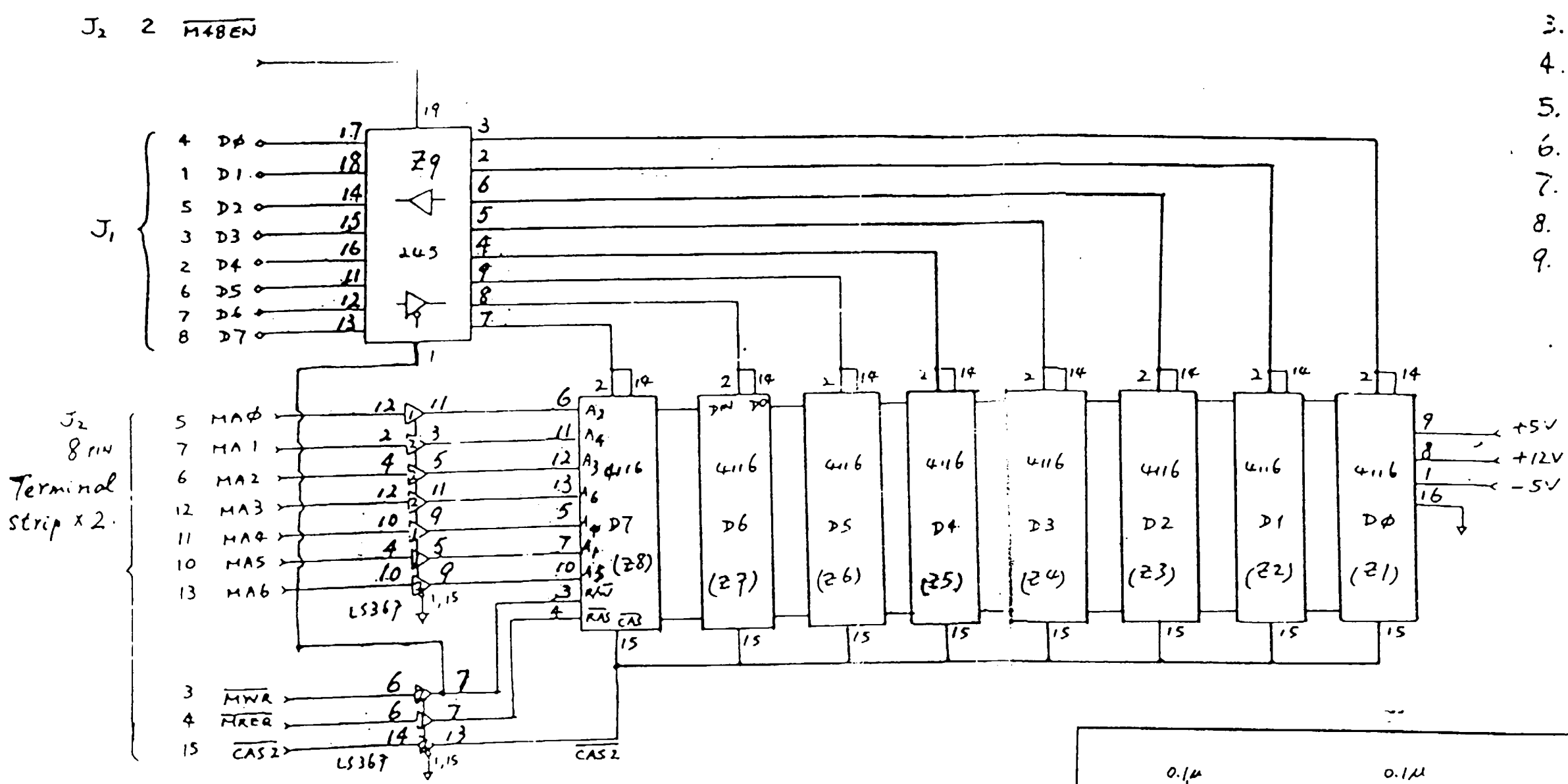


Figure 7
Keyboard Section

- PARTS:**
- 1 PCB, KT-1001-06 x 1
 - 2 IC Socket, 16 pin. x 8
 - 3. 74LS245 x 1
 - 4. 74LS367 x 2
 - 5. 4116 x 8
 - 6. Terminal strip, 8 pin x 2
 - 7. Terminal strip, 4 pin x 2
 - 8. Cap. 10 μ F 16V x 5
 - 9. 0.1 μ F Cap. 25V x 15 (approx)



1 - Z11367
2 - Z12367

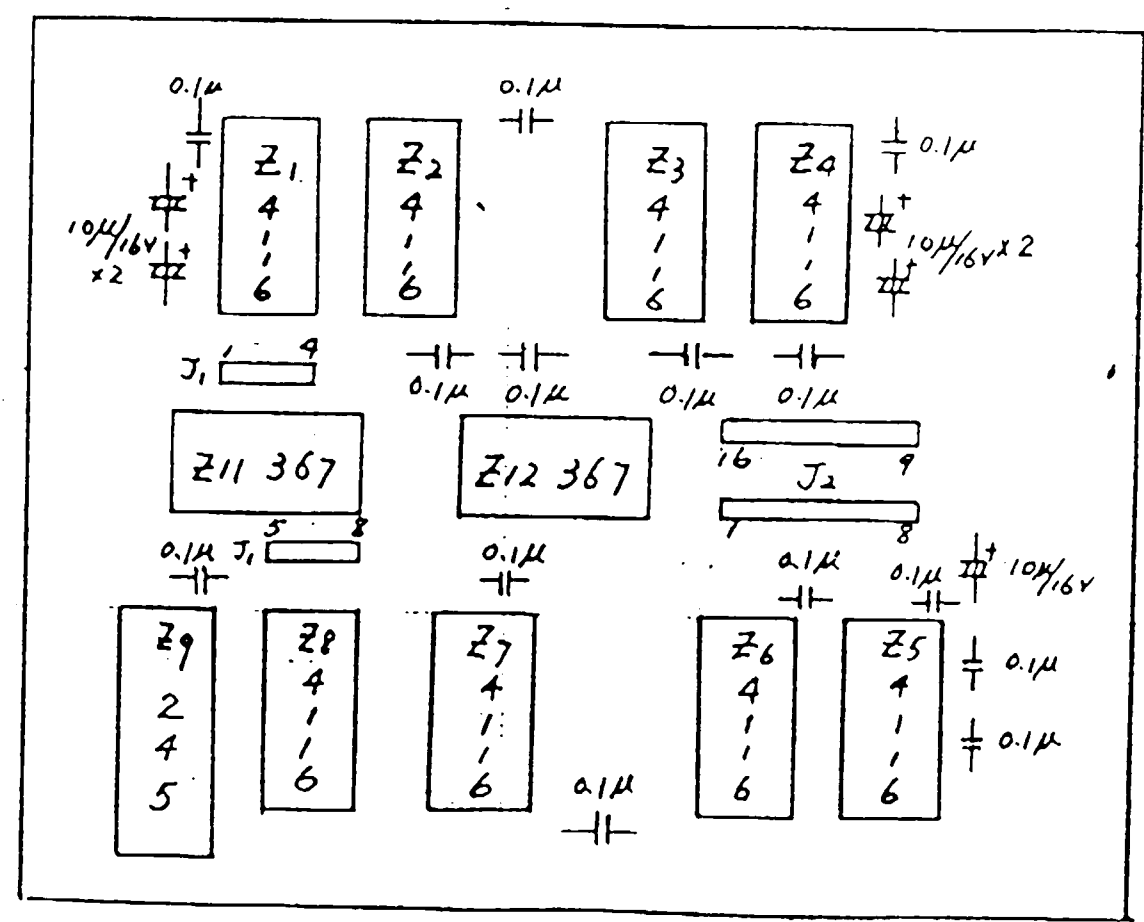
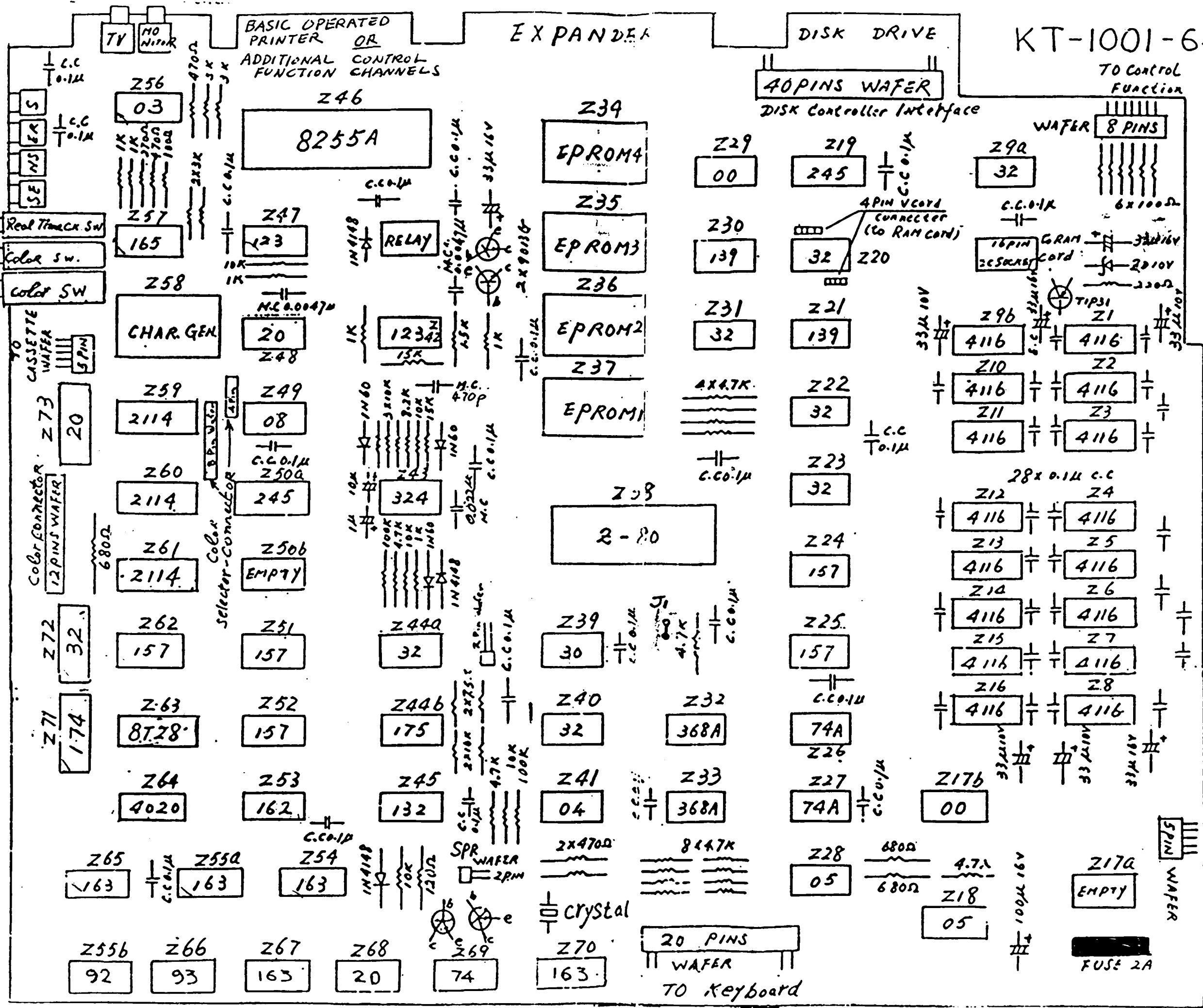


FIGURE 10 16K RAM CARD SCHEMATIC DIAGRAM

RESET FOR SCHE VERSION
PRESS IN FOR REAL TIME
CLOCK FOR SCHE VERSION
COLOR SWITCH FOR ALL VERSIONS



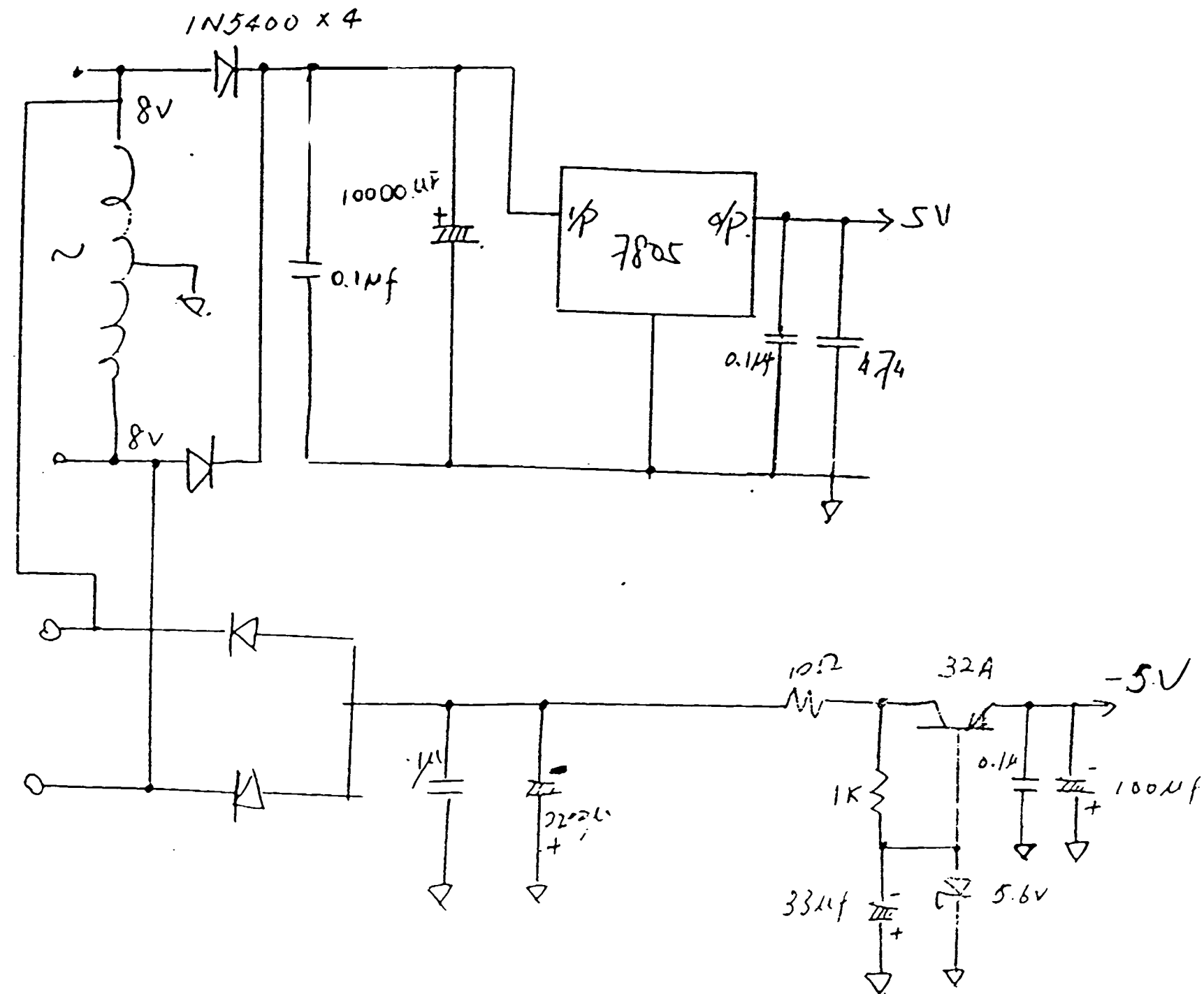
REMARK:
C.C. = CER. CAP.
M.C. = MYLER CAP

Figure 1
CPU PCB
Component side

TO Power
SUPPLY

FUSE 2A

ON POWER Supply Board



ON MAIN Board

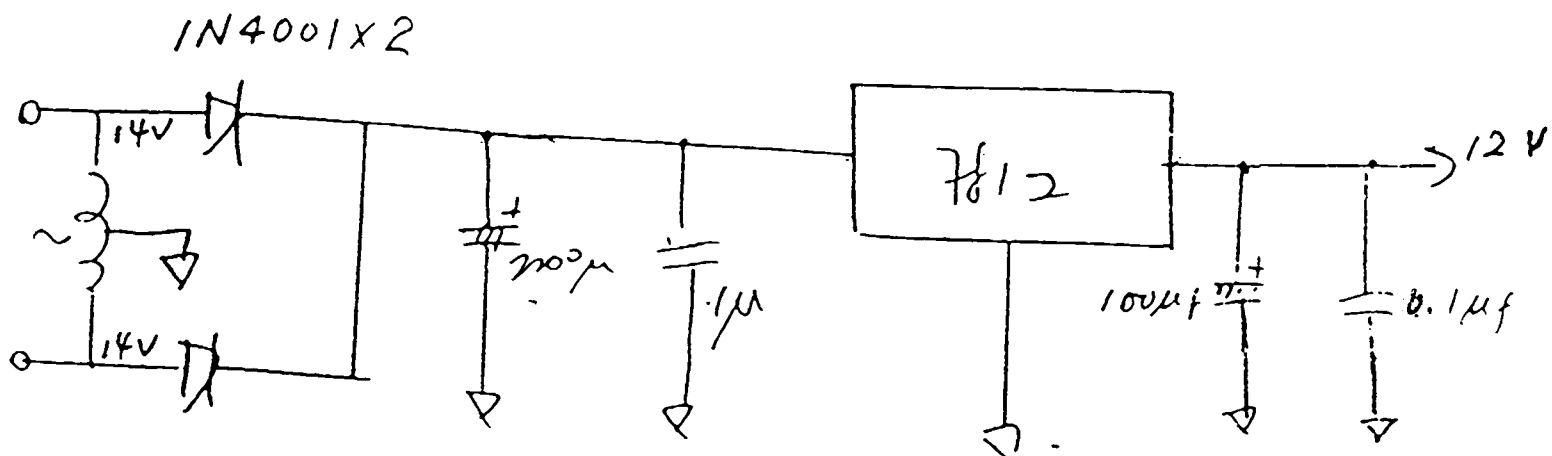
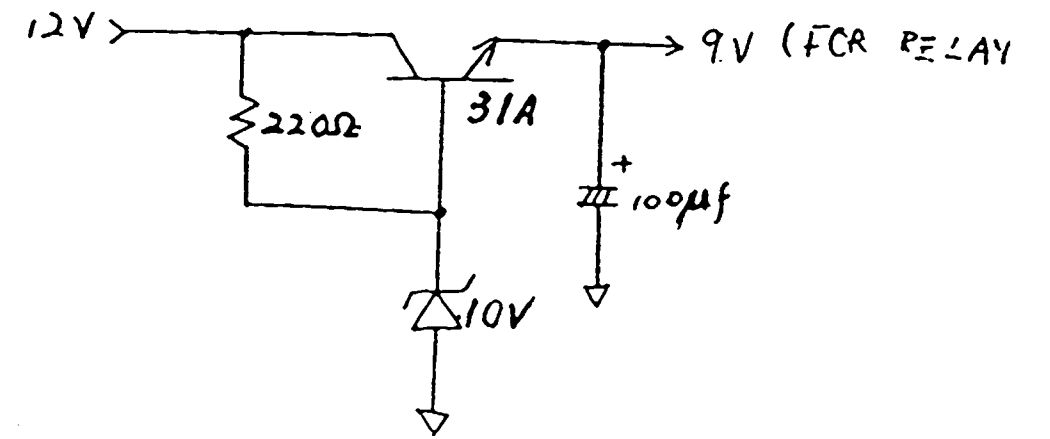


FIGURE 14 Power Supply Schematic Diagram

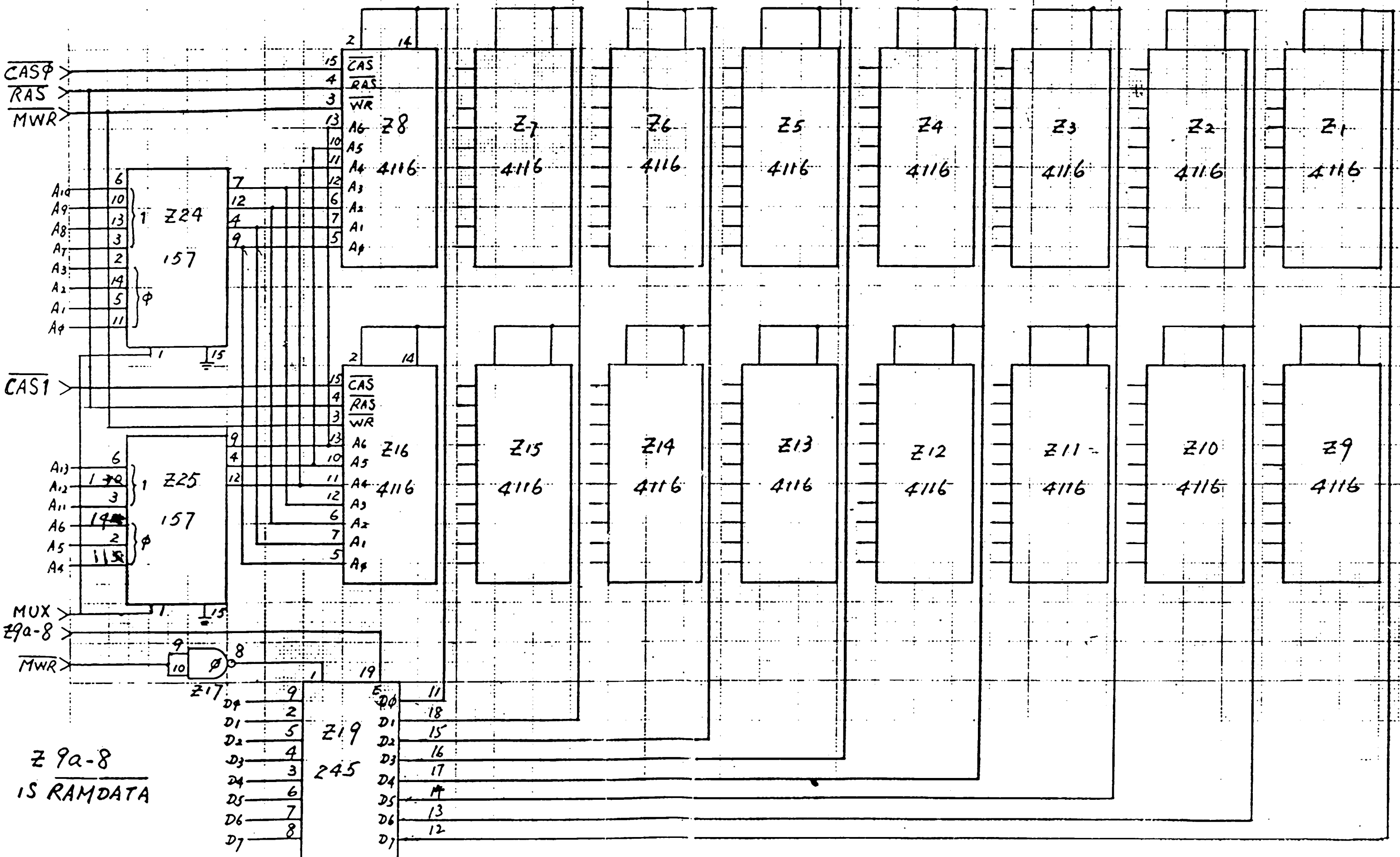
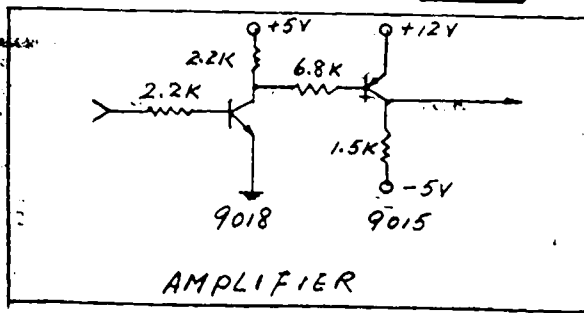
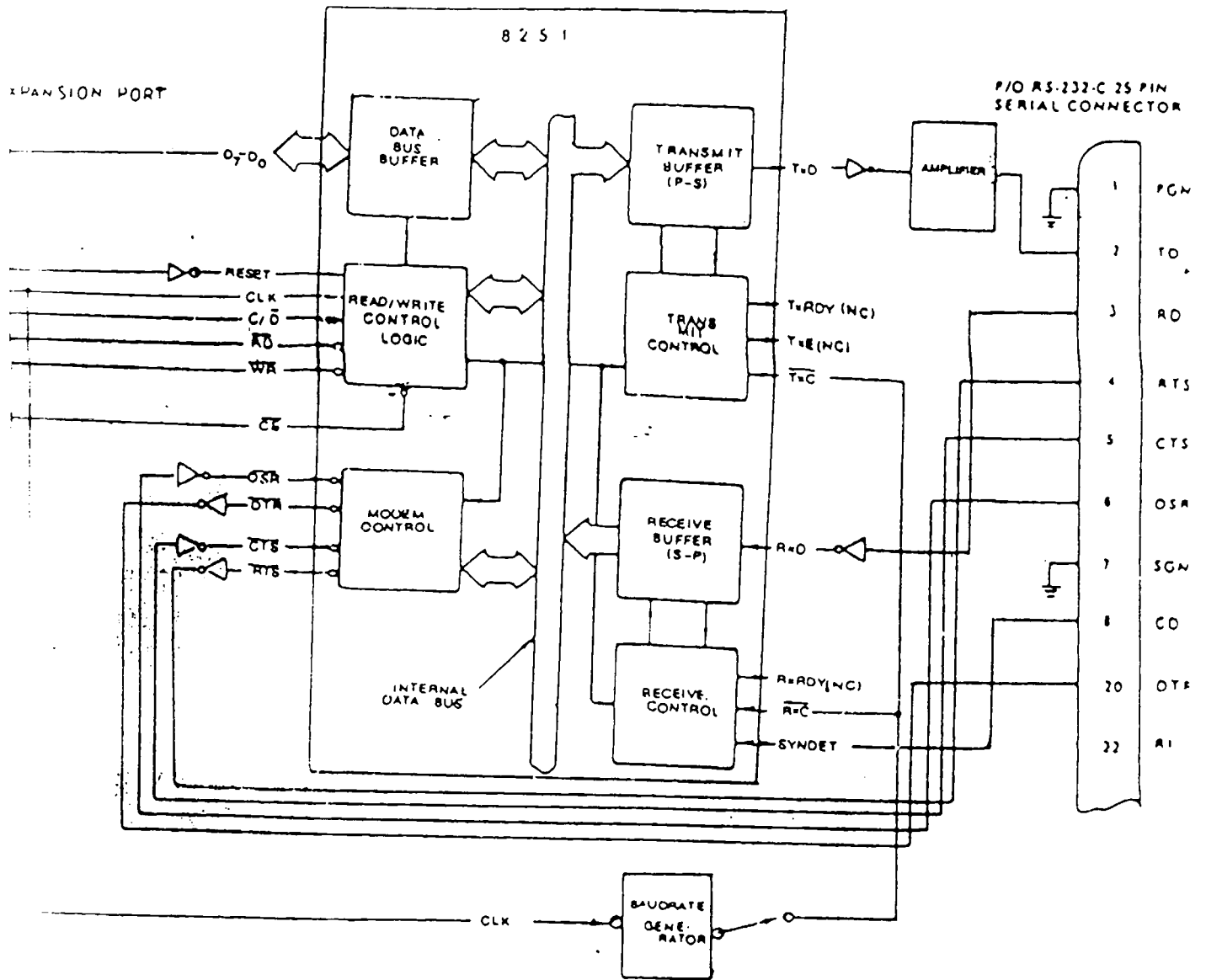


FIGURE 3. CPU SCHEMATIC DIAGRAM — RAM SECTION



34X1 CONTROL
34X0 DATA

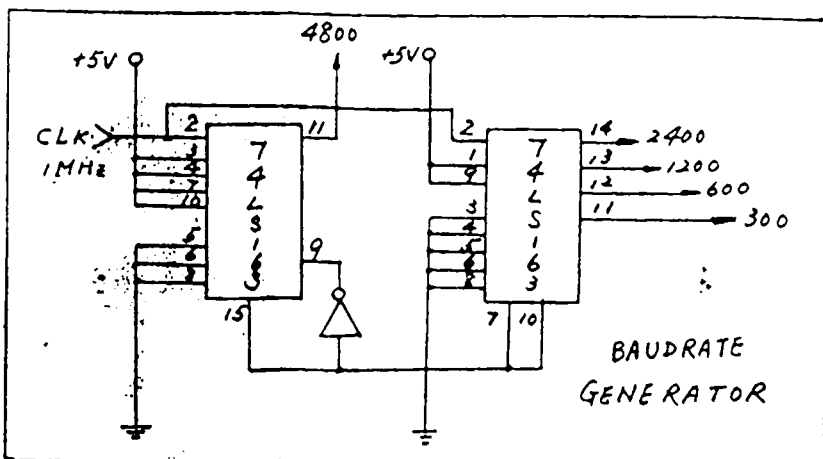


FIGURE 14
RS232 SCHEMATIC
DIAGRAM

DEC. 17. 65

TO: MR. MICHAEL SUSS

TO ADAPT MAIN BOARD OF THE KT-1001-01-64 CI
FOR RS232C OPERATION ONE MUST HAVE THE RIGHT

SIGNAL TO THE EXPANDER PINS:

1. PIN 18 SHOULD NOW BE 12V
2. PIN 23 SHOULD NOW BE 1 MHZ
3. PIN 31 SHOULD NOW BE -5V
4. PIN 49 SHOULD HAVE NO CONNECTIONS
5. PIN 50 SHOULD BE CHANGED FROM GROUND TO INVERTED CS

TO DO THIS U CAN DO THE FOLLOWING:

1. PIN 17 N PIN 18 ARE CONNECTED BY A PLATE THROUGH HOLE. TO DISCONNECTED THEM DRILL CAREFULLY WITH A 0.9 MM OR 1.0MM DRILL. TEST WITH METER. PUT A LITTLE JUMPER WIRE OR RUN SOLDER TO ACT AS A BRIDGE FOR BETTER CONDUCTION FOR PIN 17 BECAUSE THE DRILLING HAS MADE THE CIRCUIT THIN. CONNECT PIN 18 TO 12V POWER SUPPLY MAKING SURE THE SOLDER DOES NOT RUN FURTHER DOWN THE PIN OTHERWISE U CANNOT CONNECT THE FEMALE CONNECTOR OF RS232C ONTO THE EXPANDER PORT.
2. PIN 23 IS FREE, SO JUST CONNECT TO Z64 PIN 10
3. PIN 31 IS FREE, SO JUST CONNECT TO -5V
4. CUT PIN 49 OFF FROM GROUND SO AS TO LEAVE FREE
5. PIN 50 SHOULD BE CHANGED FROM GND BY CUTTING N CONNECT TO INVERT CS WHICH IS Z22 PIN 11

THE SHIPMENT YESTERDAY U IS ALREADY CONVERTED FOR RS232C

BEST RGDS,
HEILI LEE@
SAGA AA39040

TELEX MESSAGE TELEX MESSAGE

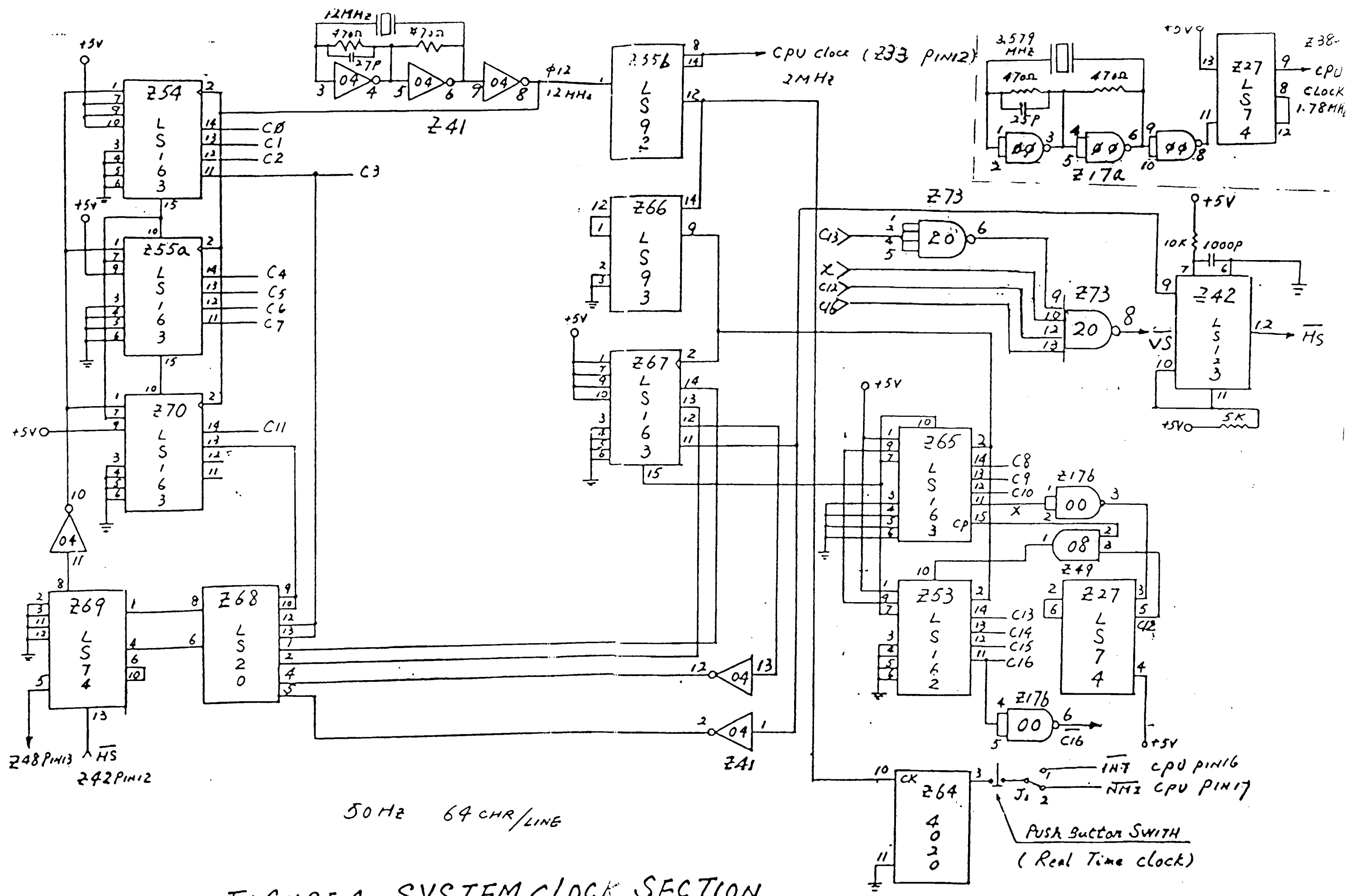


FIGURE 4 SYSTEM CLOCK SECTION

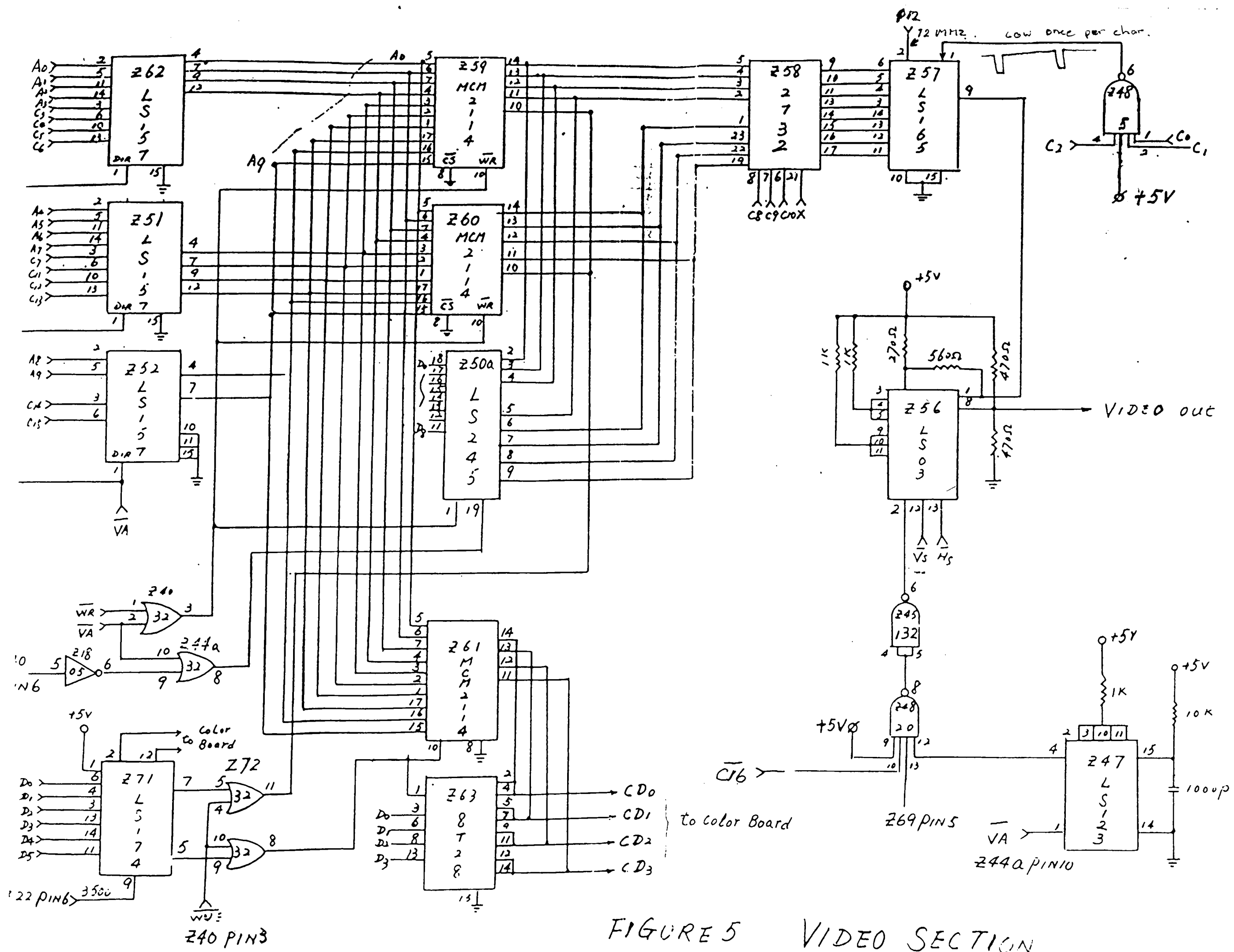


FIGURE 5 VIDEO SECTION